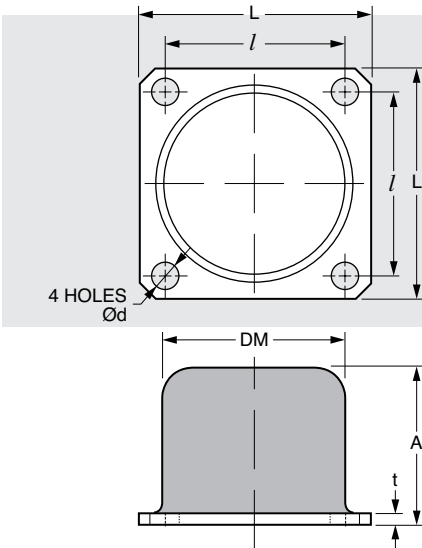




Bumpers – Base Type

www.vibrationmounts.com Phone: 516.328.3662 Fax: 516.328.3365

- **MATERIAL:** Isolator – Natural Rubber
Plate – Steel, Painted



Metric

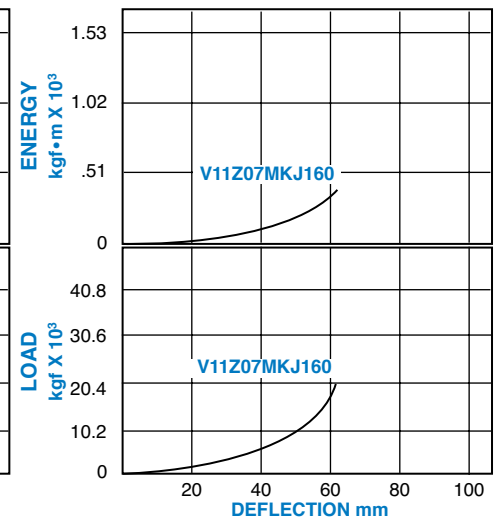
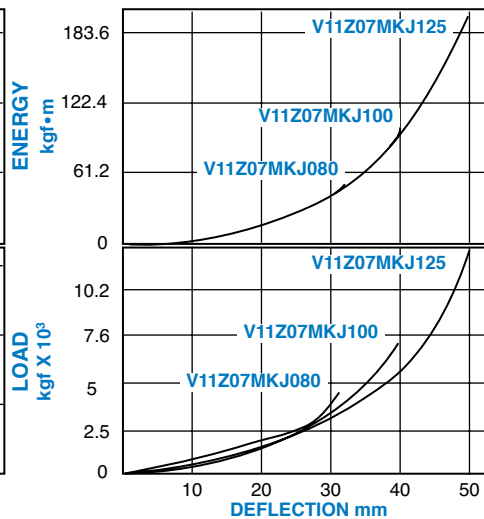
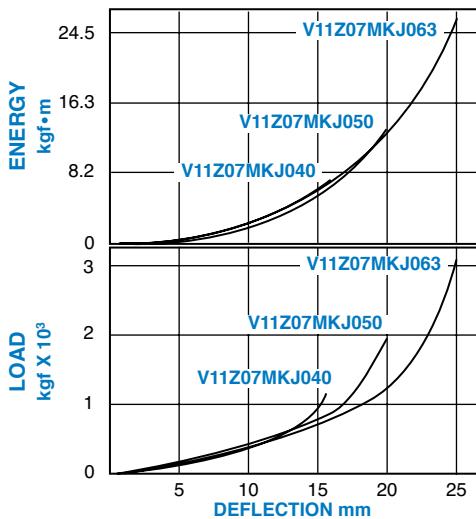
FEATURES:

- Effective in neutralizing large shock loads. It allows soft impact with increasing bending and spring constant which results in the smooth absorption of a large impact force.
- Noise generation prevention; accepts a large load deformation with practically no friction. It does not generate noise at the instant of contact.
- Easy mounting. Simple to attach the unit with no need for maintenance.

NOTE: Dimensions in () are inch.

Catalog Number	DM	A	L	l	t	d	Max. Stroke	Max. Energy kgf•m (lb.ft.)	Max. Impact Load kgf X 10 ³ (lb. X 10 ³)
V11Z07MKJ040	40 (1.57)	35 (1.38)	55 (2.17)	40 (1.57)	3.2 (.13)	6.5 (.26)	16 (.63)	6 (43.4)	1.2 (2.6)
V11Z07MKJ050	50 (1.97)	44.5 (1.75)	65 (2.56)	50 (1.97)	4.5 (.18)	9 (.35)	20 (.79)	12 (86.8)	1.9 (4.2)
V11Z07MKJ063	63 (2.48)	54.5 (2.15)	80 (3.15)	63 (2.48)			25 (.98)	25 (180.8)	3.1 (6.8)
V11Z07MKJ080	80 (3.15)	69 (2.72)	100 (3.94)	80 (3.15)			32 (1.26)	50 (361.7)	4.6 (10.1)
V11Z07MKJ100	100 (3.94)	88 (3.46)	125 (4.92)	100 (3.94)	8 (.31)	13 (.51)	40 (1.57)	100 (723.3)	7.5 (16.5)
V11Z07MKJ125	125 (4.92)	108 (4.25)	160 (6.30)	125 (4.92)			50 (1.97)	200 (1446.6)	11.8 (26.0)
V11Z07MKJ160	160 (6.30)	135 (5.32)	200 (7.87)	160 (6.30)	10 (.39)	17 (.67)	63 (2.48)	400 (2893.2)	20 (44.1)

PERFORMANCE CHART



7
Bumpers & Feet