

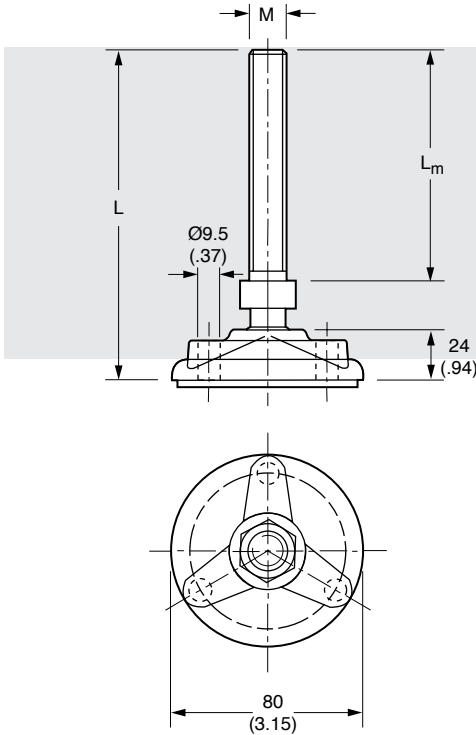


# Foot Mounts – Attachable 80 mm Base

www.vibrationmounts.com Phone: 516.328.3662 Fax: 516.328.3365

- **MATERIAL:** Swivel Spindle – Steel, Zinc Plated, Stainless Steel or Steel, Zinc Plated with Nylon Ball  
Isolator – Polyamide, Fiberglass Reinforced

- **FOR LOADS UP TO 1224 kgf (2698 lb.)**



## Metric

### FEATURES:

- Base not assembled with spindle
- Base can be attached to a surface
- Approx. 15° lateral adjustment

7  
Bumpers & Feet

Catalog Number			L	L <sub>m</sub>	M	Max. Load kgf (lb.)
Steel, Zinc Plated	Stainless Steel	Steel, Zinc Plated With Nylon Ball				
V12Z37M08009610C	V12Z37M08009610X	—	96 (3.78)	60 (2.36)	M10	1224 (2698)
V12Z37M08009912C	V12Z37M08009912X	—	99 (3.9)	63 (2.48)	M12	
V12Z37M08010108C	V12Z37M08010108X	—	101 (3.98)	65 (2.56)	M8	
V12Z37M08010114C	—	—			M14	
—	—	V12Z37M08010310P	103 (4.06)	60 (2.36)	M10	
—	—	V12Z37M08010312P			M12	
V12Z37M08011516C	V12Z37M08011516X	—	115 (4.53)	75 (2.95)	M16	
V12Z37M08012520C	—	—	125 (4.92)	85 (3.35)	M16	
V12Z37M08015110C	V12Z37M08015110X	—	151 (5.94)	115 (4.53)	M10	
—	—	V12Z37M08016310P	163 (6.42)	120 (4.72)	M10	
—	—	V12Z37M08016312P			M12	
V12Z37M08016612C	V12Z37M08016612X	—	166 (6.54)	130 (5.12)	M12	
V12Z37M08017016C	V12Z37M08017016X	—	170 (6.69)		M16	
V12Z37M08018020C	—	—	180 (7.09)	140 (5.51)	M20	

NOTE: Dimensions in ( ) are inch.

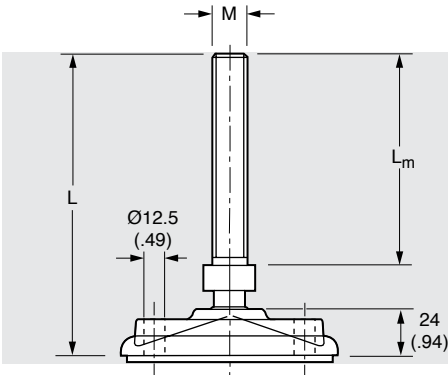


# Foot Mounts – Attachable 100 mm Base

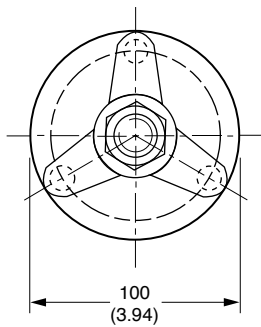
www.vibrationmounts.com Phone: 516.328.3662 Fax: 516.328.3365

- **MATERIAL:** Swivel Spindle – Steel, Zinc Plated, Stainless Steel or Steel, Zinc Plated with Nylon Ball  
Isolator – Polyamide, Fiberglass Reinforced

- **FOR LOADS UP TO 1428 kgf (3148 lb.)**



## Metric



### FEATURES:

- Base not assembled with spindle
- Base can be attached to a surface
- Approx. 15° lateral adjustment

Catalog Number			L	L <sub>m</sub>	M	Max. Load kgf (lb.)
Steel, Zinc Plated	Stainless Steel	Steel, Zinc Plated With Nylon Ball				
V12Z37M10009912C	V12Z37M10009912X	—	99 (3.90)	63 (2.48)	M12	1428 (3148)
V12Z37M10010114C	—	—	101 (3.98)	65 (2.56)	M14	
—	—	V12Z37M10010312P	103 (4.06)	60 (2.36)	M12	
V12Z37M10011516C	V12Z37M10011516X	—	115 (4.53)	75 (2.95)	M16	
V12Z37M10012520C	—	—	125 (4.92)	85 (3.35)	M20	
—	—	V12Z37M10016312P	163 (6.42)	120 (4.72)	M12	
V12Z37M10016612C	V12Z37M10016612X	—	166 (6.54)	130 (5.12)	M12	
V12Z37M10017016C	V12Z37M10017016X	—	170 (6.69)	—	M16	
V12Z37M10018020C	—	—	180 (7.09)	140 (5.51)	M20	

NOTE: Dimensions in ( ) are inch.

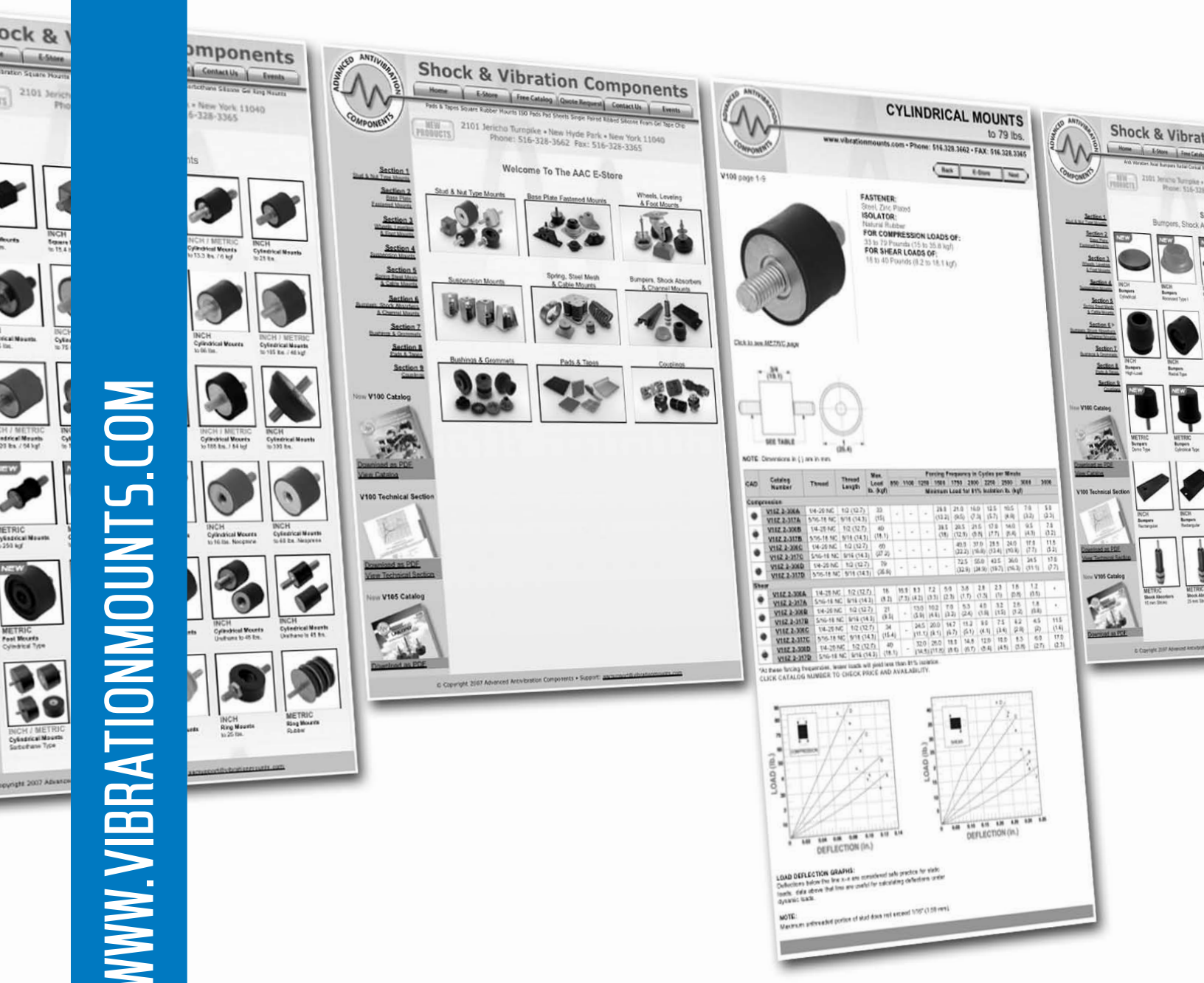
# WANT MORE?

## CHECK OUT OUR E-STORE!

AAC has a detailed website broken up into 9 sections which makes it easy for customers to browse more than 3,700 products that are offered in our catalogs.

[www.vibrationmounts.com](http://www.vibrationmounts.com)

WWW.VIBRATIONMOUNTS.COM



**Shock & Vibration Components**

Home | E-Store | Free Catalog | Quote Request | Contact Us | Events

2101 Jericho Turnpike • New Hyde Park • New York 11040  
Phone: 516-328-3662 Fax: 516-328-3365

**Section 1**  
Stud & Nut Type Mounts

**Section 2**  
Base Plate Fastened Mounts

**Section 3**  
Wheels, Leveling & Foot Mounts

**Section 4**  
Suspension Mounts

**Section 5**  
Spring, Steel Mesh & Cable Mounts

**Section 6**  
Bumpers, Shock Absorbers & Channel Mounts

**Section 7**  
Bushings & Grommets

**Section 8**  
Pads & Tapes

**Section 9**  
Couplers

View V100 Catalog

Download our PDF View Technical Section

New V105 Catalog

Download our PDF View Technical Section

View V106 Catalog

Download our PDF

**Shock & Vibration Components**

Home | E-Store | Free Catalog | Quote Request | Contact Us | Events

2101 Jericho Turnpike • New Hyde Park • New York 11040  
Phone: 516-328-3662 Fax: 516-328-3365

Welcome To The AAC E-Store

**Section 1**  
Stud & Nut Type Mounts

**Section 2**  
Base Plate Fastened Mounts

**Section 3**  
Wheels, Leveling & Foot Mounts

**Section 4**  
Suspension Mounts

**Section 5**  
Spring, Steel Mesh & Cable Mounts

**Section 6**  
Bumpers, Shock Absorbers & Channel Mounts

**Section 7**  
Bushings & Grommets

**Section 8**  
Pads & Tapes

**Section 9**  
Couplers

View V100 Catalog

Download our PDF View Technical Section

New V105 Catalog

Download our PDF View Technical Section

View V106 Catalog

Download our PDF

**CYLINDRICAL MOUNTS**  
to 79 lbs.

www.vibrationmounts.com • Phone: 516.328.3662 • FAX: 516.328.3365

V100 page 1-6

**FASTENER**  
Steel, Zinc Plated

**ISOLATOR:**  
Natural Rubber

**FOR COMPRESSION LOADS OF:**  
33 to 75 Pounds (15 to 35.0 kg)

**FOR SHEAR LOADS OF:**  
18 to 40 Pounds (8.2 to 18.1 kg)

Click to see AC275C page

NOTE: Compression is in lbs. or kg.

CAD	Catalog Number	Thread	Thread Length	Max. Load (lb. / kg)	Firing Frequencies in Cycles per Minute											
					100	150	200	250	300	350	400	450	500	550	600	650
●	V102-2-300A	1/4-20 NC	1/2 (12.7)	33	-	-	-	-	28.1	21.0	16.0	12.5	10.5	7.0	5.0	
●	V102-2-307A	5/16-18 NC	9/16 (14.3)	40	-	-	-	-	34.1	26.5	21.5	17.0	14.5	9.5	7.0	
●	V102-2-308A	1/4-20 NC	1/2 (12.7)	40	-	-	-	-	31.1	23.5	18.5	14.0	11.5	8.0	5.5	
●	V102-2-310A	5/16-18 NC	9/16 (14.3)	40	-	-	-	-	31.1	23.5	18.5	14.0	11.5	8.0	5.5	
●	V102-2-306C	1/4-20 NC	1/2 (12.7)	60	-	-	-	-	40.0	31.0	24.0	19.0	17.0	11.0	8.0	
●	V102-2-312C	5/16-18 NC	9/16 (14.3)	60	-	-	-	-	40.0	31.0	24.0	19.0	17.0	11.0	8.0	
●	V102-2-304D	1/4-20 NC	1/2 (12.7)	70	-	-	-	-	42.5	33.0	26.0	20.0	18.0	12.0	9.0	
●	V102-2-312D	5/16-18 NC	9/16 (14.3)	70	-	-	-	-	42.5	33.0	26.0	20.0	18.0	12.0	9.0	

Shear

CAD	Catalog Number	Thread	Thread Length	Max. Load (lb. / kg)	Firing Frequencies in Cycles per Minute											
					100	150	200	250	300	350	400	450	500	550	600	650
●	V102-2-300A	1/4-20 NC	1/2 (12.7)	18	16.9	8.3	7.2	5.0	3.8	2.8	2.3	1.8	1.2	-	-	
●	V102-2-307A	5/16-18 NC	9/16 (14.3)	21	17.0	8.2	7.0	5.0	3.8	2.8	2.3	1.8	1.2	-	-	
●	V102-2-308A	1/4-20 NC	1/2 (12.7)	21	15.0	10.2	7.0	5.3	4.0	3.2	2.5	1.8	-	-	-	
●	V102-2-310A	5/16-18 NC	9/16 (14.3)	21	15.0	10.2	7.0	5.3	4.0	3.2	2.5	1.8	-	-	-	
●	V102-2-306C	1/4-20 NC	1/2 (12.7)	34	34.0	20.0	14.7	11.2	8.0	7.2	5.2	4.5	11.5	11.5	11.5	
●	V102-2-312C	5/16-18 NC	9/16 (14.3)	34	34.0	20.0	14.7	11.2	8.0	7.2	5.2	4.5	11.5	11.5	11.5	
●	V102-2-304D	1/4-20 NC	1/2 (12.7)	40	32.0	20.0	18.5	14.0	12.0	10.0	8.5	6.5	11.5	11.5	11.5	
●	V102-2-312D	5/16-18 NC	9/16 (14.3)	40	32.0	20.0	18.5	14.0	12.0	10.0	8.5	6.5	11.5	11.5	11.5	

\*At these firing frequencies, spacer stack will yield less than 81% isolation.  
CLICK CATALOG NUMBER TO CHECK PRICE AND AVAILABILITY.

**LOAD DEFLECTION GRAPHS:**  
Deflections below the line are considered safe practice for static loads. Defs above that line are only for calculating deflections under dynamic loads.

NOTE:  
Maximum stretched portion of stud does not exceed 1/16" (1.58 mm).