

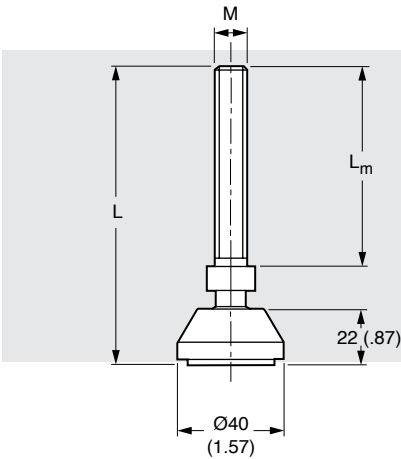


# Foot Mounts – Adjustable 40 mm Base

www.vibrationmounts.com Phone: 516.328.3662 Fax: 516.328.3365

- **MATERIAL:** Swivel Spindle – Steel, Zinc Plated, Stainless Steel or Steel, Zinc Plated with Nylon Ball  
Isolator – Polyamide, Fiberglass Reinforced

- **FOR LOADS UP TO 510 kgf (1124 lb.)**



## Metric

### FEATURES:

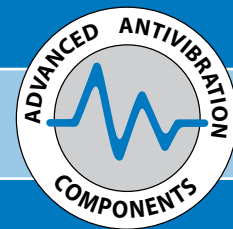
- Base not assembled with spindle
- Antislip base
- Approx. 15° lateral adjustment

Catalog Number			L	L <sub>m</sub>	M	Max. Load kgf (lb.)
Steel, Zinc Plated	Stainless Steel	Steel, Zinc Plated With Nylon Ball				
V12Z38M04009310C	V12Z38M04009310X	–	93 (3.66)	60 (2.36)	M10	510 (1124)
V12Z38M04009612C	V12Z38M04009612X	–	96 (3.78)	63 (2.48)	M12	
V12Z38M04009808C	V12Z38M04009808X	–	98 (3.86)	65 (2.56)	M8	
V12Z38M04009814C	–	–			M14	
–	–	V12Z38M04010010P	100 (3.94)	60 (2.36)	M10	
–	–	V12Z38M04010012P			M12	
V12Z38M04011216C	V12Z38M04011216X	–	112 (4.41)	75 (2.95)	M16	
V12Z38M04014810C	V12Z38M04014810X	–	148 (5.83)	115 (4.53)	M10	
–	–	V12Z38M04016010P	160 (6.3)	120 (4.72)	M10	
–	–	V12Z38M04016012P			M12	
V12Z38M04016312C	V12Z38M04016312X	–	163 (6.42)	130 (5.12)	M12	
V12Z38M04016716C	V12Z38M04016716X	–	167 (6.58)		M16	

NOTE: Dimensions in ( ) are inch.

Continued on the next page

7  
Bumpers & Feet



# Foot Mounts – Adjustable 50 mm Base

www.vibrationmounts.com Phone: 516.328.3662 Fax: 516.328.3365

- **MATERIAL:** Swivel Spindle – Steel, Zinc Plated, Stainless Steel or Steel, Zinc Plated with Nylon Ball  
Isolator – Polyamide, Fiberglass Reinforced

- **FOR LOADS UP TO 510 kgf (1124 lb.)**



## Metric

### FEATURES:

- Base not assembled with spindle
- Antislip Base
- Approx. 15° Lateral Adjustment

Catalog Number			L	L <sub>m</sub>	M	Max. Load kgf (lb.)
Steel, Zinc Plated	Stainless Steel	Steel, Zinc Plated With Nylon Ball				
V12Z38M05009310C	V12Z38M05009310X	—	93 (3.66)	60 (2.36)	M10	510 (1124)
V12Z38M05009612C	V12Z38M05009612X	—	96 (3.78)	63 (2.48)	M12	
V12Z38M05009808C	V12Z38M05009808X	—	98 (3.86)	65 (2.56)	M8	
V12Z38M05009814C	—	—			M14	
—	—	V12Z38M05010010P	100 (3.94)	60 (2.36)	M10	
—	—	V12Z38M05010012P			M12	
V12Z38M05011216C	V12Z38M05011216X	—	112 (4.41)	75 (2.95)	M16	
V12Z38M05014810C	V12Z38M05014810X	—	148 (5.83)	115 (4.53)	M10	
—	—	V12Z38M05016010P	160 (6.3)	120 (4.72)	M10	
—	—	V12Z38M05016012P			M12	
V12Z38M05016312C	V12Z38M05016312X	—	163 (6.42)	130 (5.12)	M12	
V12Z38M05016716C	V12Z38M05016716X	—	167 (6.58)		M16	

NOTE: Dimensions in ( ) are inch.

Continued on the next page



# Foot Mounts – Adjustable 80 mm Base

www.vibrationmounts.com Phone: 516.328.3662 Fax: 516.328.3365

- **MATERIAL:** Swivel Spindle – Steel, Zinc Plated, Stainless Steel or Steel, Zinc Plated with Nylon Ball  
Isolator – Polyamide, Fiberglass Reinforced

- **FOR LOADS UP TO 1020 kgf (2249 lb.)**



## Metric

### FEATURES:

- Base not assembled with spindle
- Antislip base
- Approx. 15° lateral adjustment

Catalog Number			L	L <sub>m</sub>	M	Max. Load kgf (lb.)
Steel, Zinc Plated	Stainless Steel	Steel, Zinc Plated With Nylon Ball				
V12Z38M08009110C	V12Z38M08009110X	—	91 (3.58)	60 (2.36)	M10	1020 (2249)
V12Z38M08009412C	V12Z38M08009412X	—	94 (3.7)	63 (2.48)	M12	
V12Z38M08009608C	V12Z38M08009608X	—	96 (3.78)	65 (2.56)	M8	
V12Z38M08009614C	—	—			M14	
—	—	V12Z38M08009810P	98 (3.86)	60 (2.36)	M10	
—	—	V12Z38M08009812P			M12	
V12Z38M08011016C	V12Z38M08011016X	—	110 (4.33)	75 (2.95)	M16	
V12Z38M08012020C	—	—	120 (4.72)	85 (3.35)	M20	
V12Z38M08014610C	V12Z38M08014610X	—	146 (5.75)	115 (4.53)	M10	
—	—	V12Z38M08015810P	158 (6.22)	120 (4.72)	M10	
—	—	V12Z38M08015812P			M12	
V12Z38M08016112C	V12Z38M08016112X	—	161 (6.34)	130 (5.12)	M12	
V12Z38M08016516C	V12Z38M08016516X	—	165 (6.5)		M16	
V12Z38M08017520C	—	—	175 (6.89)	140 (5.51)	M20	

NOTE: Dimensions in ( ) are inch.

7  
Bumpers & Feet