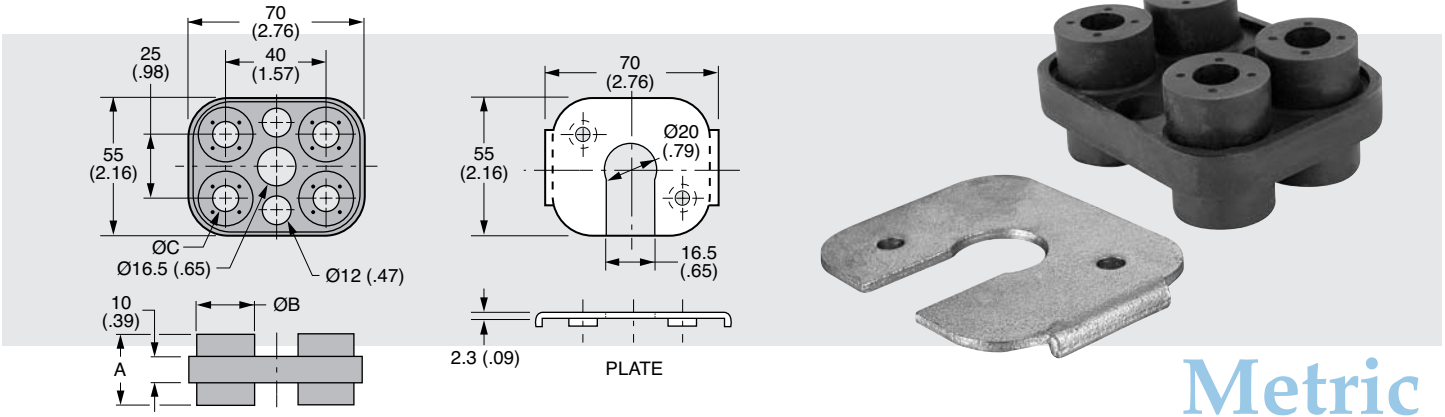




Spring Mat Assemblies – Spring Mats & Plates

www.vibrationmounts.com Phone: 516.328.3662 Fax: 516.328.3365

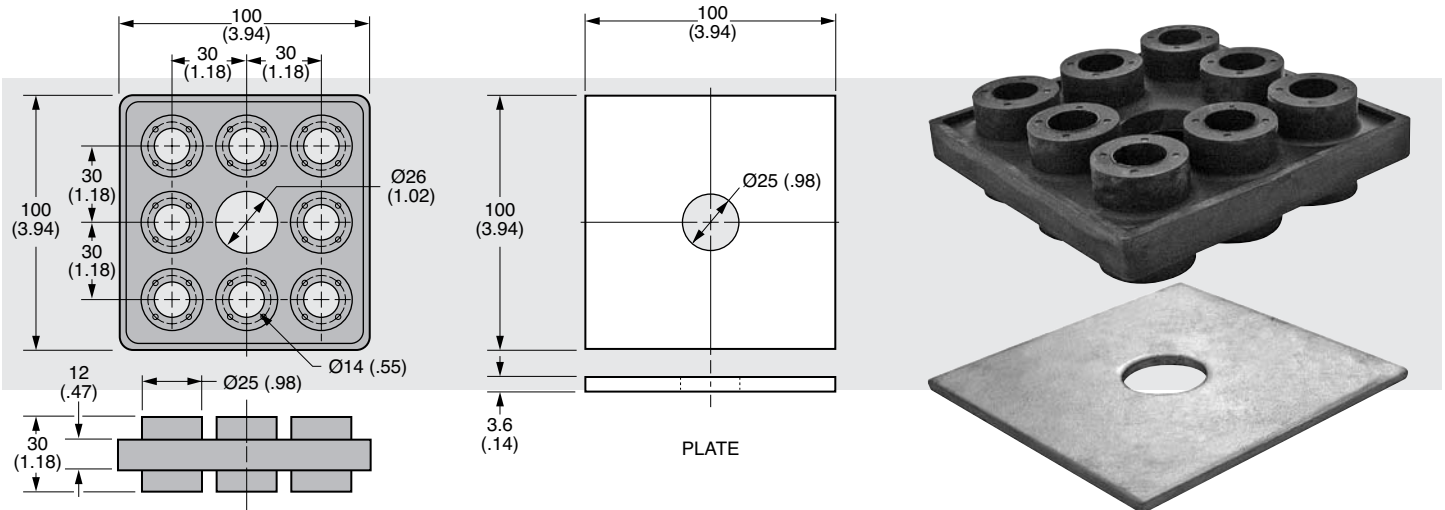
- **MATERIAL:** Springs – Steel Wire
Isolator – Synthetic Rubber
Plates – Steel, Galvanized



Metric

NOTE: Dimensions in () are inch.

Catalog Number		A	B	C	Allowable Load kgf (lb.)	Spring Rate kgf / cm (lb. / in.)
Mats	Plate					
V11Z20MSM020C	V11C20MSMPS	20 (.79)	20 (.79)	13 (.51)	20 (44.1)	60 (336)
V11Z20MSM040C					40 (88.2)	110 (616)
V11Z20MSM100C					100 (220.5)	250 (1400)
V11Z20MSM200C					200 (440.9)	500 (2800)



NOTE: Dimensions in () are inch.

Catalog Number		Allowable Load kgf (lb.)	Spring Rate kgf / cm (lb. / in.)
Mats	Plate		
V11Z20MSM300	V11C20MSMPL	300 (661.4)	900 (5040)
V11Z20MSM450		450 (992.1)	1200 (6720)

7
Bumpers & Feet