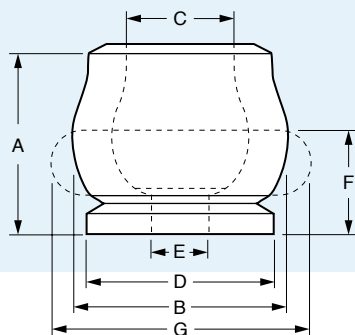


Micro Bumpers – To 494 lbs.

www.vibrationmounts.com Phone: 516.328.3662 Fax: 516.328.3365

• MATERIAL: Elastomer

• MAINTENANCE FREE • ENVIRONMENTALLY FRIENDLY
• LIGHTWEIGHT

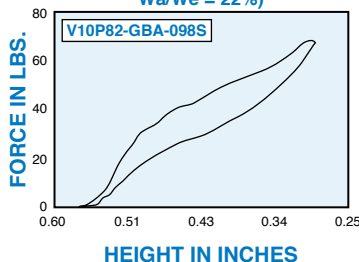


PERFORMANCE:

- Will not rust
- Will not absorb moisture
- Performs well from -40°F to +150°F
- Survives in applications up to +275°F

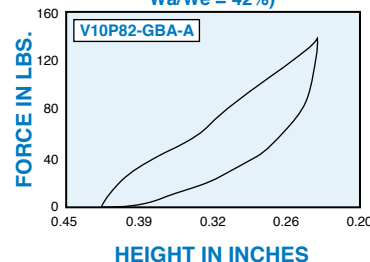
STATIC FORCE vs. HEIGHT CURVE

(We = 11.30 in. lbs. • Wa = 2.40 in. lbs.
Wa/We = 22%)



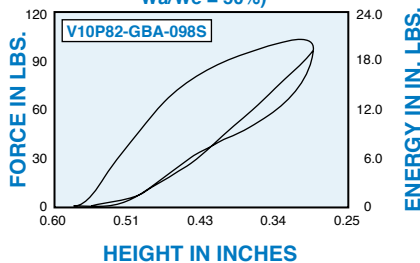
STATIC FORCE vs. HEIGHT CURVE

(We = 12.80 in. lbs. • Wa = 5.40 in. lbs.
Wa/We = 42%)



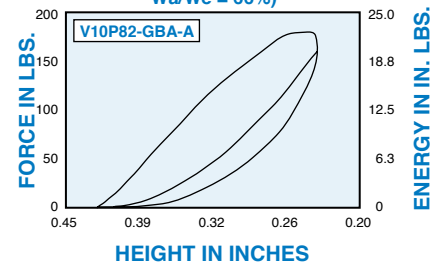
DYNAMIC FORCE & ENERGY vs. HEIGHT CURVE

(We = 18.00 in. lbs. • Wa = 9.00 in. lbs.
Wa/We = 50%)



DYNAMIC FORCE & ENERGY vs. HEIGHT CURVE

(We = 19.70 in. lbs. • Wa = 13.00 in. lbs.
Wa/We = 66%)



Catalog Number	Energy Capacity lb. in. (kgf•m)	Max. Force lb. (kgf)	A Free Height in. (mm)	B Free Bulge in. (mm)	C Wrench Hole in. (mm)	D Base Diameter in. (mm)	E Mounting Hole in. (mm)	F Loaded Height in. (mm)	G Loaded Bulge in. (mm)	Weight oz. (g)
V10P82-GBA-A	19.7 (.23)	180.7 (81.96)	.43 (10.92)	.48 (12.19)	.23 (5.84)	.42 (10.69)	.15 (3.81)	.24 (6.09)	.6 (15.24)	.08 (2.27)
V10P82-GBA-C	51 (.59)	353 (160.12)	.61 (15.49)	.66 (16.76)	.33 (8.38)	.6 (15.24)	.17 (4.32)	.39 (9.91)	.82 (20.83)	.13 (3.68)
V10P82-GBA-E	88.5 (1.02)	494 (224.07)	.72 (18.29)	.81 (20.57)	.39 (9.91)	.71 (18.03)	.21 (5.33)	.39 (9.91)	1.01 (25.65)	.14 (3.97)
V10P82-GBA-098S	18 (.21)	104 (47.17)	.58 (14.73)	.54 (13.72)	.34 (8.64)	.51 (12.95)	.18 (4.57)	.29 (7.34)	.76 (19.30)	.05 (1.42)
V10P82-GBA-099S	33 (.38)	236 (107.05)	.74 (18.8)	.70 (17.78)	.43 (10.92)	.65 (16.51)	.19 (4.83)	.4 (10.16)	.96 (24.38)	.1 (2.83)

NOTES: 1. For larger bumpers, see catalog V100 p. 6-5 to 6-7.
2. Dimensions in () are metric.