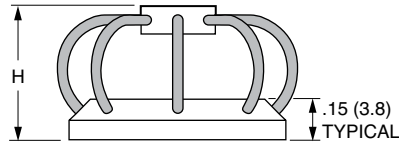




# Cable Isolators, Circular – 1/16” Cable Dia.

www.vibrationmounts.com Phone: 516.328.3662 Fax: 516.328.3365

- **MATERIAL:** Cable – Stainless Steel  
Mounting Plates – Aluminum



SEE CATALOG V100 FOR A LARGE SELECTION OF RECTANGULAR CABLE ISOLATORS

### APPLICATIONS:

- COMPUTERS
- ELECTRONICS, MEDICAL EQUIPMENT
- AVIONICS
- GENERATORS, MOTORS & PUMPS

### FEATURES:

- Maintenance-free
- Long life
- Corrosion-resistant
- Absorbs heavy loads with minimum deflection
- Isolation protection in all axes
- Compact, low profile

6  
Cable Isolators

## 1/16 Diameter Cable

TEMPERATURE RANGE: -65°F to +200°F (-54°C to +93°C)

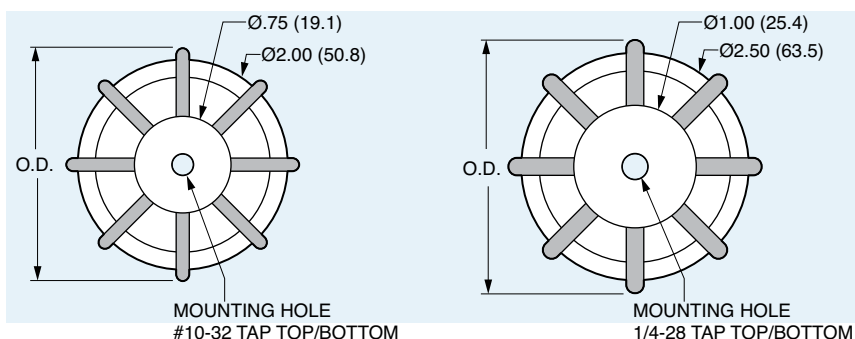
| Catalog Number | Base Dia.      | O.D.           | H<br>±.06<br>(±1.5) | Compression                     |                           | Shear                           |                           | 45° Compression & Roll          |                           |
|----------------|----------------|----------------|---------------------|---------------------------------|---------------------------|---------------------------------|---------------------------|---------------------------------|---------------------------|
|                |                |                |                     | Spr. Rate<br>lb./in.<br>(kg/mm) | Max. Deflect.<br>in. (mm) | Spr. Rate<br>lb./in.<br>(kg/mm) | Max. Deflect.<br>in. (mm) | Spr. Rate<br>lb./in.<br>(kg/mm) | Max. Deflect.<br>in. (mm) |
| V10Z69-0625110 | 1.00<br>(25.4) | 1.10<br>(27.9) | .50<br>(12.7)       | 300<br>(5.37)                   | .12<br>(3)                | 100<br>(1.79)                   | .14<br>(3.5)              | 190<br>(3.4)                    | .20<br>(5.1)              |
| V10Z69-0625130 |                | 1.30<br>(33)   | .65<br>(16.5)       | 110<br>(1.97)                   | .20<br>(5.1)              | 40<br>(0.72)                    | .22<br>(5.6)              | 65<br>(1.16)                    | .34<br>(8.6)              |
| V10Z69-0625135 |                | 1.35<br>(34.3) | .95<br>(24.1)       | 55<br>(0.98)                    | .28<br>(7.1)              | 15<br>(0.27)                    | .30<br>(7.6)              | 30<br>(0.54)                    | .48<br>(12.2)             |
| V10Z69-0625213 | 2.00<br>(50.8) | 2.13<br>(54.1) | .95<br>(24.1)       | 26<br>(0.47)                    | .20<br>(5.1)              | 18<br>(0.32)                    | .20<br>(5.1)              | 18<br>(0.32)                    | .30<br>(7.6)              |
| V10Z69-0625238 |                | 2.38<br>(60.4) | 1.35<br>(34.3)      | 10<br>(0.18)                    | .30<br>(7.6)              | 5<br>(0.09)                     | .40<br>(10.2)             | 5<br>(0.09)                     | .50<br>(12.7)             |
| V10Z69-0625263 |                | 2.63<br>(66.8) | 1.75<br>(44.4)      | 5<br>(0.09)                     | .40<br>(10.2)             | 2<br>(0.04)                     | .60<br>(15.2)             | 2<br>(0.04)                     | .80<br>(20.3)             |

NOTES: Dimensions in ( ) are mm.  
Different mounting holes are available upon request.

# Cable Isolators, Circular – 3/32" & 1/8" Cable Dia.

www.vibrationmounts.com Phone: 516.328.3662 Fax: 516.328.3365

- **MATERIAL:** Cable – Stainless Steel  
Mounting Plates – Aluminum



### APPLICATIONS:

- COMPUTERS
- ELECTRONICS, MEDICAL EQUIPMENT
- AVIONICS
- GENERATORS, MOTORS & PUMPS

### FEATURES:

- Maintenance-free
- Long life
- Corrosion-resistant
- Absorbs heavy loads with minimum deflection
- Isolation protection in all axes
- Compact, low profile

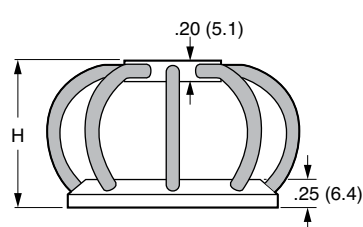


Fig. 1

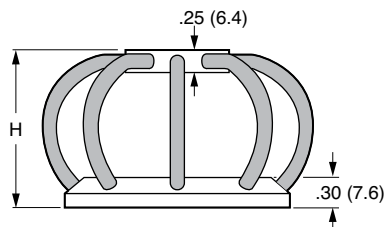


Fig. 2

SEE CATALOG V100 FOR A LARGE SELECTION OF RECTANGULAR CABLE ISOLATORS

## 3/32 Diameter Cable

TEMPERATURE RANGE: -65°F to +200°F (-54°C to +93°C)

| Catalog Number | Fig. No. | O.D.           | H<br>±.06<br>(±1.5) | Compression                     |                           | Shear                           |                           | 45° Compression & Roll          |                           |
|----------------|----------|----------------|---------------------|---------------------------------|---------------------------|---------------------------------|---------------------------|---------------------------------|---------------------------|
|                |          |                |                     | Spr. Rate<br>lb./in.<br>(kg/mm) | Max. Deflect.<br>in. (mm) | Spr. Rate<br>lb./in.<br>(kg/mm) | Max. Deflect.<br>in. (mm) | Spr. Rate<br>lb./in.<br>(kg/mm) | Max. Deflect.<br>in. (mm) |
| V10Z69-0937245 | 1        | 2.45<br>(62.2) | 1.35<br>(34.3)      | 42<br>(0.75)                    | .40<br>(10.2)             | 30<br>(0.54)                    | .35<br>(8.9)              | 25<br>(0.45)                    | .65<br>(16.5)             |
| V10Z69-0937270 |          | 2.70<br>(68.6) | 1.80<br>(45.7)      | 20<br>(0.36)                    | .50<br>(12.7)             | 8<br>(0.14)                     | .60<br>(15.2)             | 10<br>(0.18)                    | .85<br>(21.6)             |
| V10Z69-0937290 |          | 2.90<br>(73.7) | 2.15<br>(54.6)      | 12<br>(0.21)                    | .60<br>(15.2)             | 4<br>(0.07)                     | .75<br>(19)               | 5<br>(0.09)                     | 1.20<br>(30.5)            |

## 1/8 Diameter Cable

| Catalog Number | Fig. No. | O.D.           | H<br>±.06<br>(±1.5) | Compression                     |                           | Shear                           |                           | 45° Compression & Roll          |                           |
|----------------|----------|----------------|---------------------|---------------------------------|---------------------------|---------------------------------|---------------------------|---------------------------------|---------------------------|
|                |          |                |                     | Spr. Rate<br>lb./in.<br>(kg/mm) | Max. Deflect.<br>in. (mm) | Spr. Rate<br>lb./in.<br>(kg/mm) | Max. Deflect.<br>in. (mm) | Spr. Rate<br>lb./in.<br>(kg/mm) | Max. Deflect.<br>in. (mm) |
| V10Z69-1250275 | 2        | 2.75<br>(69.9) | 1.25<br>(31.8)      | 175<br>(3.13)                   | .30<br>(7.6)              | 105<br>(1.88)                   | .30<br>(7.6)              | 80<br>(1.43)                    | .50<br>(12.7)             |
| V10Z69-1250300 |          | 3.00<br>(76.2) | 1.70<br>(43.2)      | 70<br>(1.25)                    | .45<br>(11.4)             | 40<br>(0.72)                    | .50<br>(12.7)             | 30<br>(0.54)                    | .80<br>(20.3)             |
| V10Z69-1250325 |          | 3.25<br>(82.6) | 2.00<br>(50.8)      | 40<br>(0.72)                    | .60<br>(15.2)             | 10<br>(0.18)                    | .75<br>(19)               | 15<br>(0.27)                    | .72<br>(18.3)             |

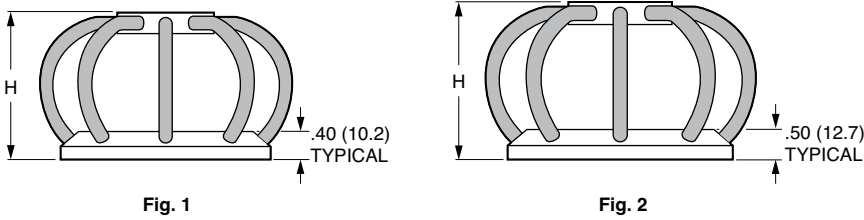
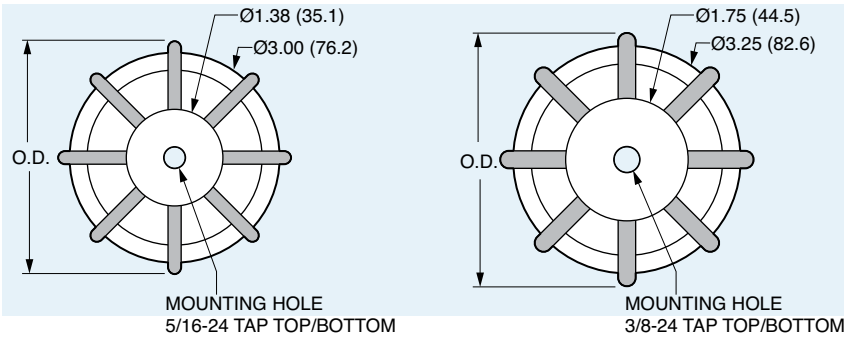
NOTES: Dimensions in ( ) are mm.  
Different mounting holes are available upon request.



# Cable Isolators, Circular – 3/16" & 1/4" Cable Dia.

www.vibrationmounts.com Phone: 516.328.3662 Fax: 516.328.3365

- **MATERIAL:** Cable – Stainless Steel  
Mounting Plates – Aluminum



### APPLICATIONS:

- COMPUTERS
- ELECTRONICS, MEDICAL EQUIPMENT
- AVIONICS
- GENERATORS, MOTORS & PUMPS

### FEATURES:

- Maintenance-free
- Long life
- Corrosion-resistant
- Absorbs heavy loads with minimum deflection
- Isolation protection in all axes
- Compact, low profile

SEE CATALOG V100 FOR A LARGE SELECTION OF RECTANGULAR CABLE ISOLATORS

## 3/16 Diameter Cable

TEMPERATURE RANGE: -65°F to +200°F (-54°C to +93°C)

| Catalog Number | Fig. No. | O.D.            | H<br>±.06<br>(±1.5) | Compression                     |                           | Shear                           |                           | 45° Compression & Roll          |                           |
|----------------|----------|-----------------|---------------------|---------------------------------|---------------------------|---------------------------------|---------------------------|---------------------------------|---------------------------|
|                |          |                 |                     | Spr. Rate<br>lb./in.<br>(kg/mm) | Max. Deflect.<br>in. (mm) | Spr. Rate<br>lb./in.<br>(kg/mm) | Max. Deflect.<br>in. (mm) | Spr. Rate<br>lb./in.<br>(kg/mm) | Max. Deflect.<br>in. (mm) |
| V10Z69-1875338 | 1        | 3.38<br>(85.9)  | 1.75<br>(44.5)      | 400<br>(7.16)                   | .45<br>(11.4)             | 260<br>(4.65)                   | .40<br>(10.2)             | 250<br>(4.48)                   | .75<br>(19)               |
| V10Z69-1875363 |          | 3.63<br>(92.2)  | 2.13<br>(54.1)      | 210<br>(3.76)                   | .60<br>(15.2)             | 95<br>(1.7)                     | .65<br>(16.5)             | 100<br>(1.79)                   | 1.10<br>(27.9)            |
| V10Z69-1875400 |          | 4.00<br>(101.6) | 2.50<br>(63.5)      | 120<br>(2.15)                   | .70<br>(17.8)             | 35<br>(0.63)                    | .95<br>(24.1)             | 55<br>(0.98)                    | 1.35<br>(34.3)            |

## 1/4 Diameter Cable

| Catalog Number | Fig. No. | O.D.           | H<br>±.06<br>(±1.5) | Compression                     |                           | Shear                           |                           | 45° Compression & Roll          |                           |
|----------------|----------|----------------|---------------------|---------------------------------|---------------------------|---------------------------------|---------------------------|---------------------------------|---------------------------|
|                |          |                |                     | Spr. Rate<br>lb./in.<br>(kg/mm) | Max. Deflect.<br>in. (mm) | Spr. Rate<br>lb./in.<br>(kg/mm) | Max. Deflect.<br>in. (mm) | Spr. Rate<br>lb./in.<br>(kg/mm) | Max. Deflect.<br>in. (mm) |
| V10Z69-2500350 | 2        | 3.50<br>(88.9) | 1.65<br>(41.9)      | 1785<br>(31.95)                 | .35<br>(8.9)              | 790<br>(14.14)                  | .40<br>(10.2)             | 885<br>(15.84)                  | .65<br>(16.5)             |
| V10Z69-2500375 |          | 3.75<br>(95.3) | 2.13<br>(54.1)      | 1060<br>(18.97)                 | .45<br>(11.4)             | 460<br>(8.23)                   | .60<br>(15.2)             | 440<br>(7.88)                   | .95<br>(24.1)             |
| V10Z69-2500425 |          | 4.25<br>(108)  | 2.50<br>(63.5)      | 405<br>(7.25)                   | .60<br>(15.2)             | 150<br>(2.69)                   | .90<br>(22.7)             | 205<br>(3.67)                   | 1.20<br>(30.5)            |

NOTES: Dimensions in ( ) are mm.  
Different mounting holes are available upon request.

# LOG ON

## EASY WAY TO GET THINGS DONE

The redesigned web site features all the products found in the new V110 catalog, as well as our previously printed V105 and V100 catalogs. We made the site easy to browse so that you can spend less time looking for parts and more time designing.

[www.vibrationmounts.com](http://www.vibrationmounts.com)

WWW.VIBRATIONMOUNTS.COM

Shock & Vibration Components

Home | E-Store | Free Catalog | Quote Request | Contact Us | Events

2101 Jericho Turnpike • New Hyde Park • New York 11040  
Phone: 516-328-3662 Fax: 516-328-3365

New V100 Catalog

V100 Technical Section

Shock & Vibration Components

Home | E-Store | Free Catalog | Quote Request | Contact Us | Events

2101 Jericho Turnpike • New Hyde Park • New York 11040  
Phone: 516-328-3662 Fax: 516-328-3365

New V100 Catalog

V100 Technical Section

New V105 Catalog

Large Selection of Anti Vibration Products Available from Stock

Vibration Mounts  
Silicone Gel  
Spring Isolators  
Spring Steel Mesh  
Cable Isolators

Channel Anti Vibration Mounts  
Machine Leveling Wrenches  
Machinery Anti Vibration Mounts

Anti Vibration Bumpers  
Bushings  
Rods & Taps  
Shaft Couplings  
Shock Absorbers

© Copyright 2007 Advanced Antivibration Components • Support: [accsupport@vibrationmounts.com](mailto:accsupport@vibrationmounts.com)

Shock & Vibration Components

Home | E-Store | Free Catalog | Quote Request | Contact Us | Events

2101 Jericho Turnpike • New Hyde Park • New York 11040  
Phone: 516-328-3662 Fax: 516-328-3365

New V100 Catalog

V100 Technical Section

New V105 Catalog

Part Number Index | Alphabetical Index

Large Selection of Anti Vibration Products Available from Stock

AT MIN HEIGHT  
REF: 30  
(1.22) (1.78)  
170 (6.69)  
53 (2.09)  
18 (0.71)  
14 (0.55)  
M16 x 12mm DEEP BOLT HOLE

MIN. REF. CLEARANCE 49 (1.93)

| CAD | Catalog Number | L          |
|-----|----------------|------------|
| ●   | V11220M0W131T  | 130 (5.12) |
| ●   | V11220M0W131T  | 130 (5.12) |
| ●   | V11220M0W121T  | 170 (6.69) |
| ●   | V11220M0W121T  | 170 (6.69) |

NOTE: Bolt not supplied  
\*Class low flange emission grease  
CLICK CATALOG NUMBER TO CHECK

© Copyright 2007 Advanced Antivibration Components • Support: [accsupport@vibrationmounts.com](mailto:accsupport@vibrationmounts.com)