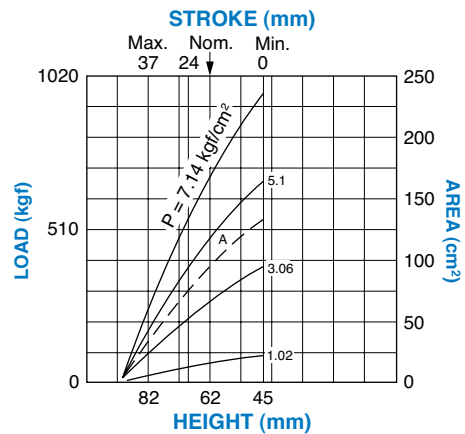
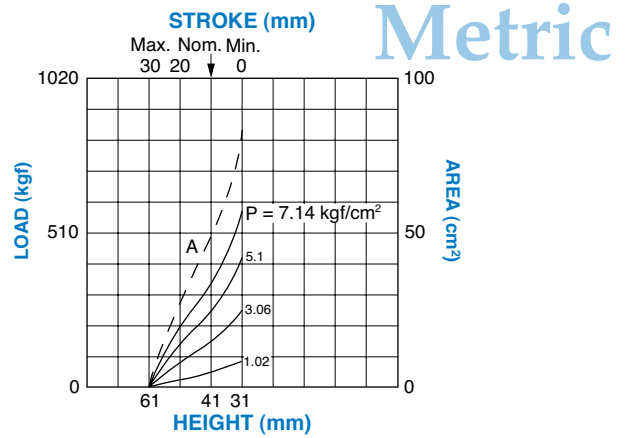
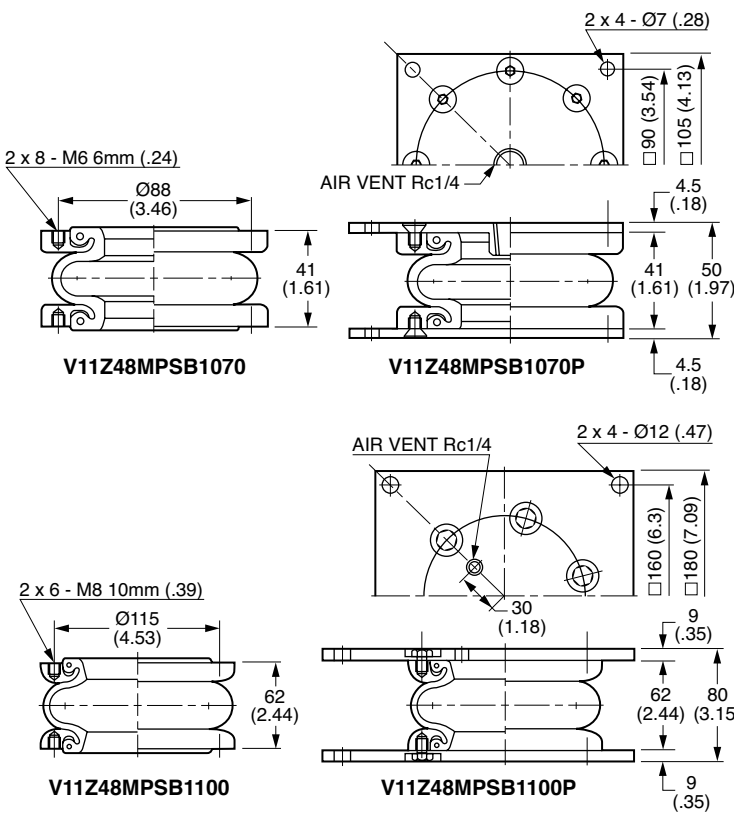
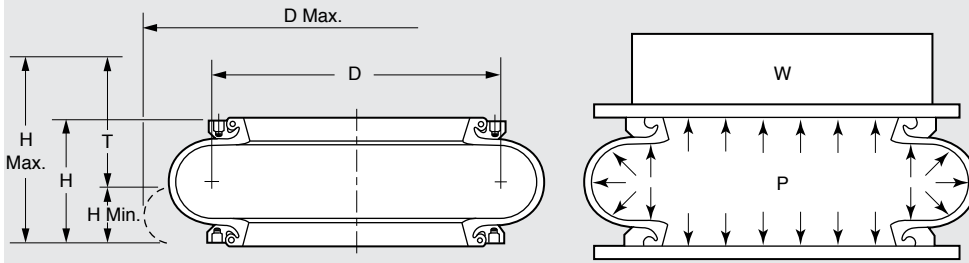


Air Springs

www.vibrationmounts.com Phone: 516.328.3662 Fax: 516.328.3365

- MATERIAL:** Bellows – Synthetic Rubber, Reinforced Cord & Wire
Ring & Plate – Steel, Zinc Plated

5 Spring Mounts



NOTE: Dimensions in () are inch.

Catalog Number	Diameter		Height			Pressure		T Stroke	Effective Area Ao cm ² (in ²)
	D	D Max.	H	H Min.	H Max.	Po kgf/cm ² (psi)	P Max. kgf/cm ² (psi)		
V11Z48MPSB1070	78 (3.07)	104 (4.09)	41 (1.61)	31 (1.22)	61 (2.40)	5.1 (72.5)	7.14 (101.52)	30 (1.18)	48 (7.44)
V11Z48MPSB1070P									
V11Z48MPSB1100	111 (4.37)	145 (5.71)	62 (2.44)	45 (1.77)	82 (3.23)	5.1 (72.5)	7.14 (101.52)	37 (1.46)	96 (14.88)
V11Z48MPSB1100P									



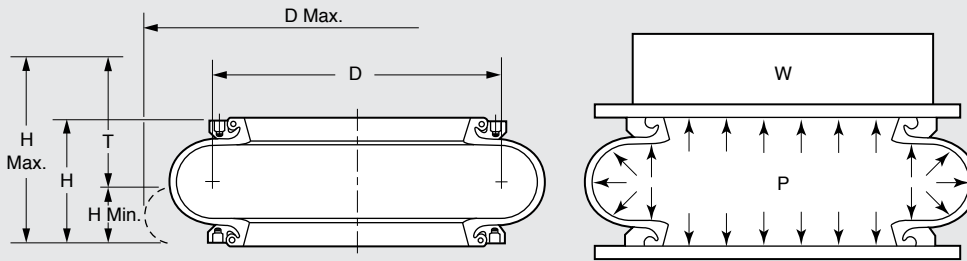
Air Springs

www.vibrationmounts.com Phone: 516.328.3662 Fax: 516.328.3365

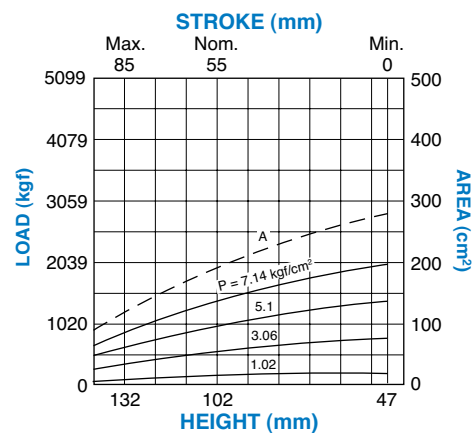
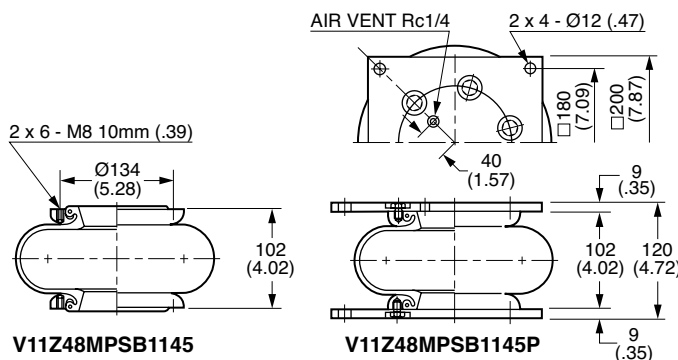
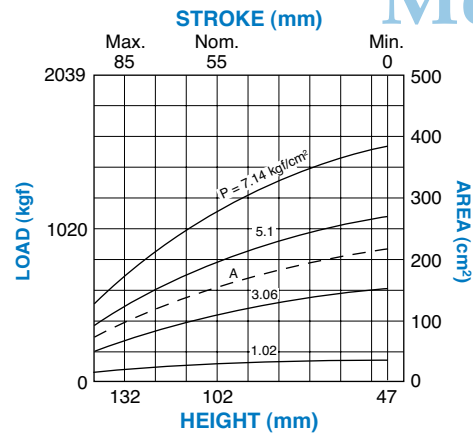
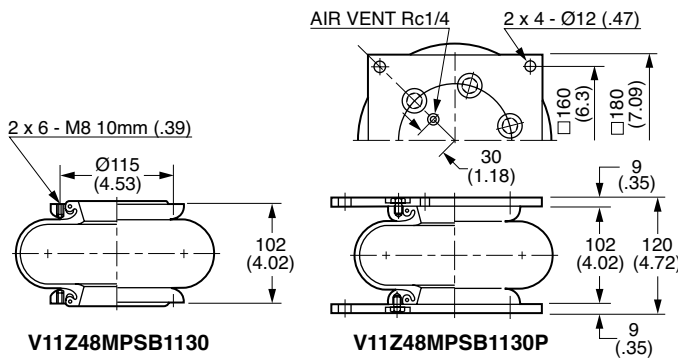
- MATERIAL:** Bellows – Synthetic Rubber, Reinforced Cord & Wire
Ring & Plate – Steel, Zinc Plated



5
Spring Mounts



Metric



NOTE: Dimensions in () are inch.

Catalog Number	Diameter		Height			Pressure		T Stroke	Effective Area Ao cm² (in²)
	D	D Max.	H	H Min.	H Max.	Po kgf/cm² (psi)	P Max. kgf/cm² (psi)		
V11Z48MPSB1130	142	225	102	47	132	5.1	7.14	85	158 (24.49)
V11Z48MPSB1130P	(5.59)	(8.86)							
V11Z48MPSB1145	158	235	102	47	132	5.1	7.14	85	196 (30.38)
V11Z48MPSB1145P	(6.22)	(9.25)							

Continued on the next page

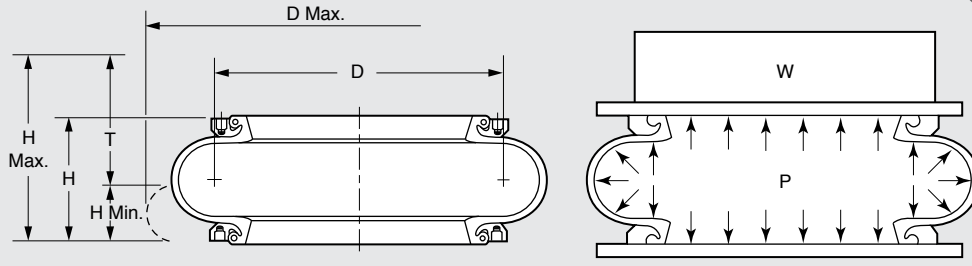
Air Springs



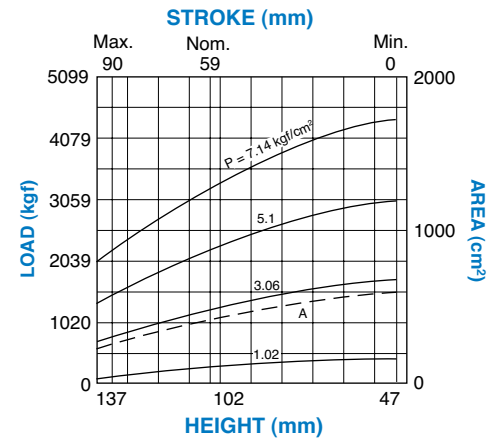
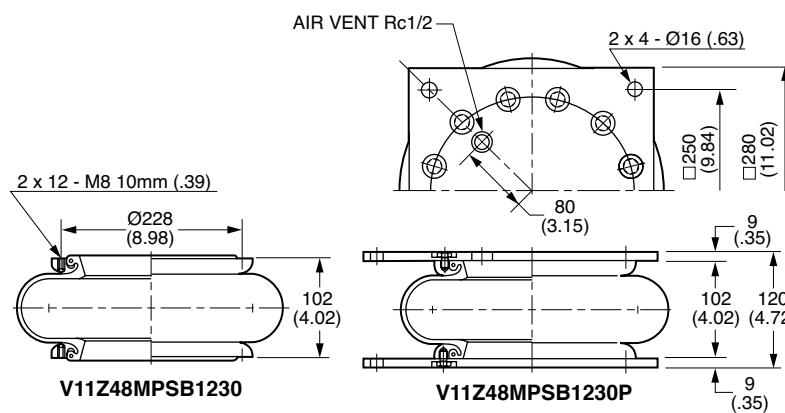
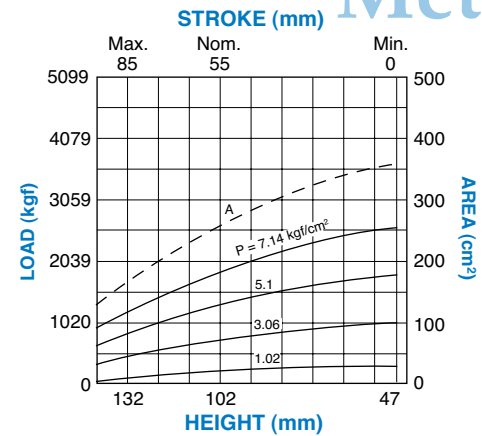
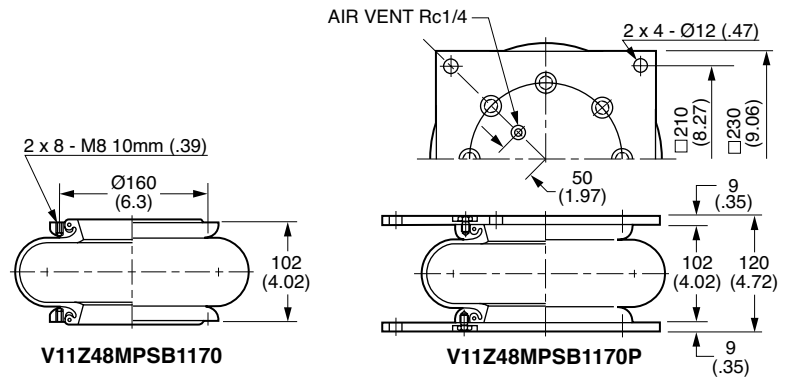
www.vibrationmounts.com Phone: 516.328.3662 Fax: 516.328.3365

- MATERIAL:** Bellows – Synthetic Rubber, Reinforced Cord & Wire
Ring & Plate – Steel, Zinc Plated

5 Spring Mounts



Metric



NOTE: Dimensions in () are inch.

Catalog Number	Diameter		Height			Pressure		T Stroke	Effective Area Ao cm² (in²)
	D	D Max.	H	H Min.	H Max.	Po kgf/cm² (psi)	P Max. kgf/cm² (psi)		
V11Z48MPSB1170	182 (7.17)	262 (10.32)	102 (4.02)	47 (1.85)	132 (5.20)	5.1 (72.5)	7.14 (101.5)	85 (3.35)	260 (40.3)
V11Z48MPSB1170P									
V11Z48MPSB1230	245 (9.65)	324 (12.76)	102 (4.02)	47 (1.85)	137 (5.39)	5.1 (72.5)	7.14 (101.5)	90 (3.54)	470 (72.85)
V11Z48MPSB1230P									



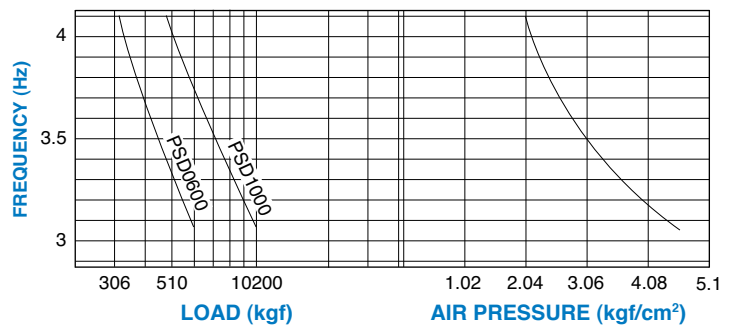
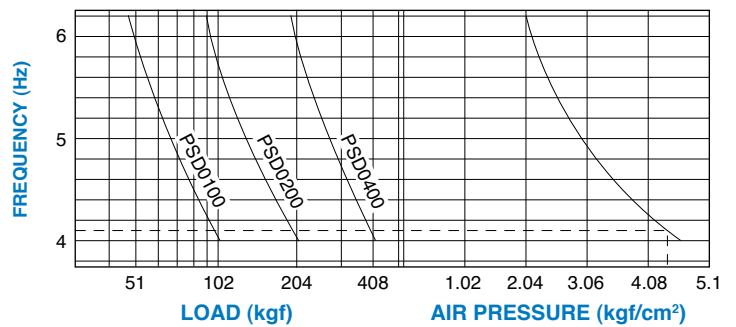
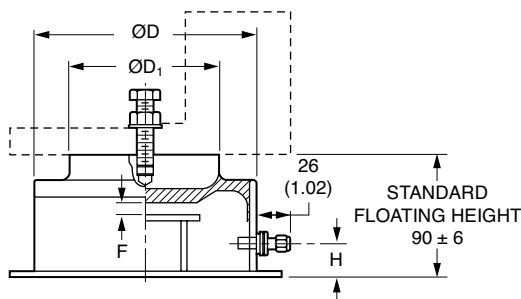
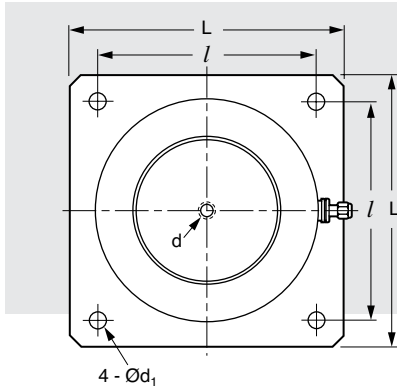
Air Springs

www.vibrationmounts.com Phone: 516.328.3662 Fax: 516.328.3365

- **MATERIAL:** Diaphragm – Synthetic Rubber
Body – Steel, Painted



Metric



OPERATING TEMPERATURE: -20°C to +60°C
-4°F to +140°F

Catalog Number	Hex Head Bolt Size
V11Z48MPSD0100	M10 x 40 L (1.57L)
V11Z48MPSD0200	M12 x 50 L (1.97L)
V11Z48MPSD0400	M12 x 50 L (1.97L)
V11Z48MPSD0600	M12 x 50 L (1.97L)
V11Z48MPSD1000	M16 x 60 L (2.36L)

NOTE: Hex Head Bolt, Nut and Washer 1 each supplied

NOTE: Dimensions in () are inch.

Catalog Number	Load		L	l	D	D ₁	d x deep	d ₁	F	H	Weight kg (lb.)
	Min. kgf (lbf)	Max. kgf (lbf)									
V11Z48MPSD0100	51 (112)	102 (225)	125 (4.92)	100 (3.94)	100 (3.94)	38 (1.50)	M10 x 10 (.39)	10 (.39)	6 (.24)	23 (.91)	1.8 (3.97)
V11Z48MPSD0200	102 (225)	204 (450)				60 (2.36)	M12 x 15 (.59)	12 (.47)	9 (.35)	25 (.98)	3.3 (7.28)
V11Z48MPSD0400	204 (450)	408 (900)	160 (6.30)	125 (4.92)	138 (5.34)	90 (3.54)					5.1 (11.24)
V11Z48MPSD0600	408 (900)	612 (1349)	200 (7.87)	160 (6.30)	164 (6.46)	110 (4.33)	M16 x 15 (.59)	14 (.55)		26 (1.02)	6.7 (14.77)
V11Z48MPSD1000	612 (1349)	1020 (2249)	250 (9.84)	200 (7.87)	212 (8.35)	150 (5.91)					