

# Dampers – Spring Type

www.vibrationmounts.com Phone: 516.328.3662 Fax: 516.328.3365

• **MATERIAL:** Top Cover & Base Plate – Steel, Painted  
Enclosure & Sheet – Rubber

• **FOR STANDARD LOADS OF 80 TO 300 kgf (176 TO 660 lb.)**

5

Spring Mounts

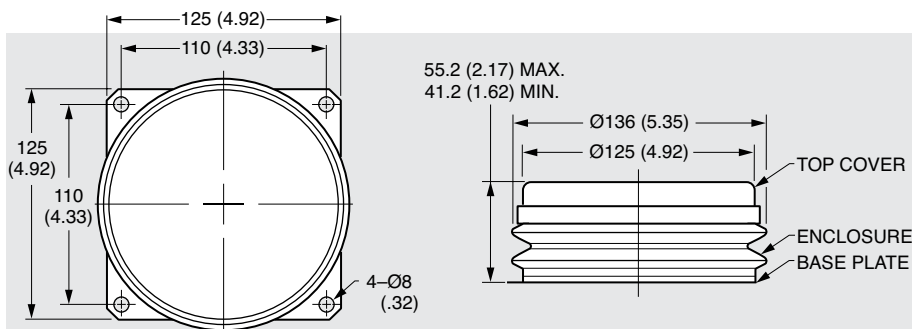


Fig. 1



Fig. 1

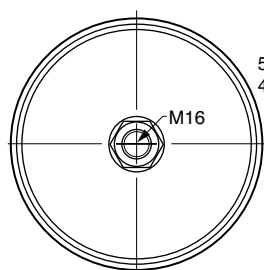
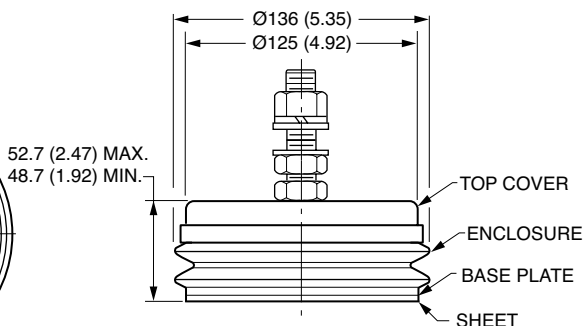


Fig. 2



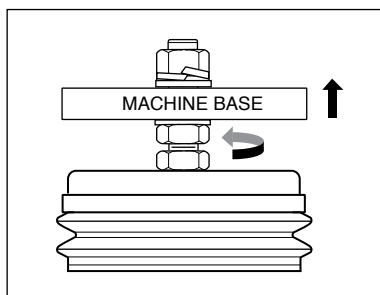
Metric



Fig. 2

### APPLICATIONS

- INSPECTION EQUIPMENT
- BUILDING FLOORS



Catalog Number	Fig. No.	Spring Rate kgf/mm (lb./in.)	Max. Allowable Load kgf (lb.)	Stud Size
V11Z68MKSC100	1	7 (392)	80 ~ 100 (176 ~ 220)	—
V11Z68MKSC150		11 (616)	100 ~ 150 (220 ~ 330)	—
V11Z68MKSC200		14 (784)	150 ~ 200 (330 ~ 440)	—
V11Z68MKSC300		21 (1176)	200 ~ 300 (440 ~ 660)	—
*V11Z68MKSC100L	2	7 (392)	80 ~ 100 (176 ~ 220)	M16 X 90
*V11Z68MKSC150L		11 (616)	100 ~ 150 (220 ~ 330)	
*V11Z68MKSC200L		14 (784)	150 ~ 200 (330 ~ 440)	
*V11Z68MKSC300L		21 (1176)	200 ~ 300 (440 ~ 660)	

\*Catalog numbers ending in "L" are supplied with 1-stud, 2-lock nuts, 1-nut, 2-flat washers and 1-spring washer.  
NOTE: Dimensions in ( ) are inch.