



Conical Mounts – To 1632 kgf

www.vibrationmounts.com Phone: 516.328.3662 Fax: 516.328.3365

- **MATERIAL:** Body – Steel, Zinc Plated
Isolator – Natural Rubber / Styrene-Butadiene Rubber Compound, 60 ± 5 Durometer

- **FOR COMPRESSION LOADS UP TO 1632 kgf (3598 lb.)**

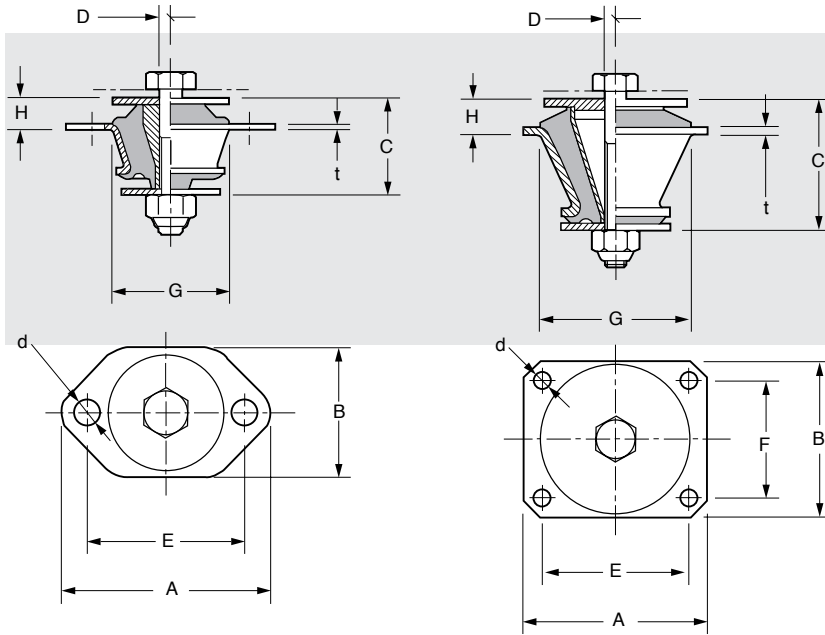
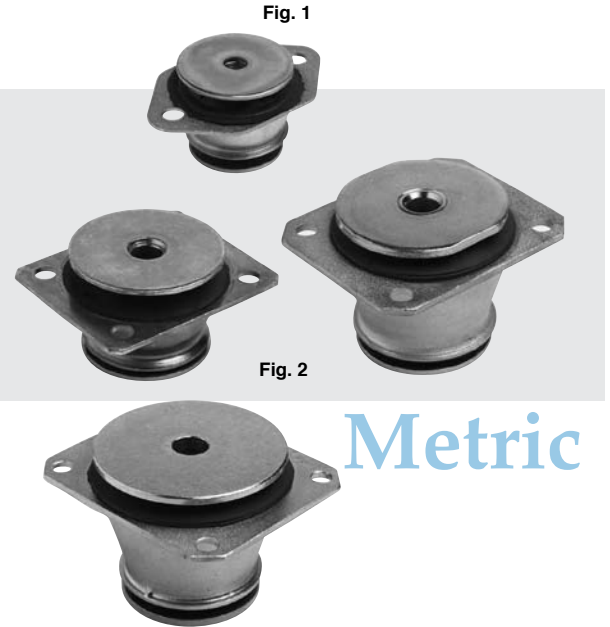


Fig. 1

Fig. 2



Catalog Number	Fig.	A	B	C	D	E	F	G	H	t	d	Max. Load kgf (lb.)
V12Z03M051060	1	106 (4.17)	68 (2.68)	51 (2.01)	12 (.47)	80 (3.15)	—	60 (2.36)	16.5 (.65)	2.5 (.10)	11 (.43)	204 (450)
V12Z03M056078	2	107 (4.21)	90 (3.54)	56 (2.20)	16 (.63)	80 (3.15)	65 (2.56)	78 (3.07)	19.5 (.77)	3.5 (.14)		408 (899)
V12Z03M081093	2	120 (4.72)	100 (3.94)	81 (3.19)	16 (.63)	90 (3.54)	74 (2.91)	93 (3.66)	20 (.79)	4.3 (.17)		918 (2024)
V12Z03M095109		140 (5.51)	120 (4.72)	95 (3.74)	20 (.79)	112 (4.41)	92 (3.62)	109 (4.29)	23 (.91)	4.5 (.18)		1632 (3598)

NOTES: 1. Screw and nut are not included.
2. Dimensions in () are inch.