



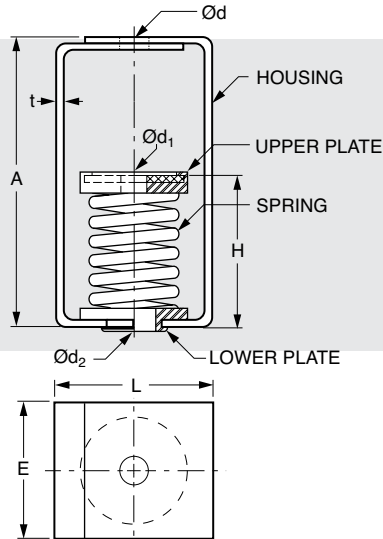
Suspension Mounts – Spring Type

www.vibrationmounts.com Phone: 516.328.3662 Fax: 516.328.3365

- **MATERIAL:** Housing – Steel, Zinc Plated
 Spring – Hard Drawn Steel Wire, Painted
 Upper Plate – Steel, Zinc Plated
 Lower Plate – Neoprene



Metric



The projections shown are per ISO convention.

FEATURES:

- By having rubber on both ends of the coil spring, the unit can reduce vibrations for a wide range of frequencies. They are best suited for hanging from ceilings small machines such as fans, distribution pipes and ducts.

Catalog Number	A	E	L	H	t	d	d ₁	d ₂	Load kgf (lb.)	Spring Rate kgf/mm (lb./in.)
V11Z71MKSH115010	115 (4.53)	55 (2.17)	80 (3.15)	58 (2.28)	3.2 (.13)	15 (.59)	13.5 (.53)	24 (.95)	up to 10	.67
(up to 22)									(37.5)	
10 to 15									1	
(22 to 33)									(56)	
V11Z71MKSH115020	150 (5.90)	70 (2.76)	80 (3.15)	78 (3.07)	3.2 (.13)	15 (.59)	13.5 (.53)	24 (.95)	15 to 20	1.33
(33 to 44)									(74.5)	
20 to 30									2	
(44 to 66)									(112)	
V11Z71MKSH150040	150 (5.90)	70 (2.76)	80 (3.15)	88 (3.46)	3.2 (.13)	15 (.59)	13.5 (.53)	24 (.95)	30 to 40	2.66
(66 to 88)									(149)	
40 to 60									4	
(88 to 132)									(224)	
V11Z71MKSH150060	190 (7.48)	80 (3.15)	110 (4.33)	114 (4.49)	4.5 (.18)	20 (.79)	20 (.79)	27 (1.06)	60 to 80	5.33
(132 to 176)									(298.5)	
80 to 120									8	
(176 to 264)									(448)	
V11Z71MKSH150120	190 (7.48)	80 (3.15)	110 (4.33)	114 (4.49)	4.5 (.18)	20 (.79)	20 (.79)	27 (1.06)	120 to 160	10.7
(264 to 353)									(599.2)	
160 to 240									16	
(353 to 529)									(896)	
V11Z71MKSH150160	190 (7.48)	80 (3.15)	110 (4.33)	114 (4.49)	4.5 (.18)	20 (.79)	20 (.79)	27 (1.06)	240 to 320	21.5
(529 to 705)									(1204)	
240 to 320									21.5	
(529 to 705)									(1204)	

NOTE: Dimensions in () are inch.