

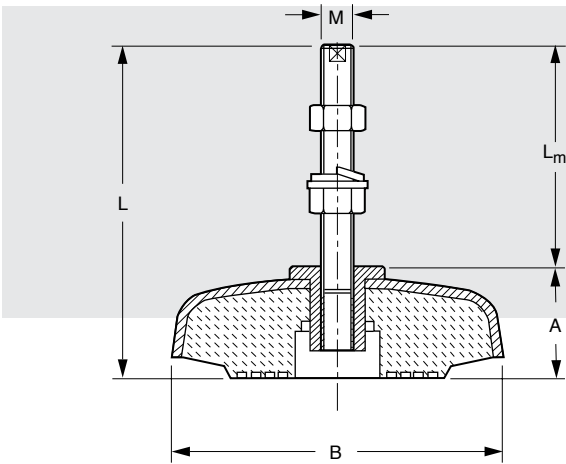


# Leveling Mounts – To 3059 kgf

www.vibrationmounts.com Phone: 516.328.3662 Fax: 516.328.3365

- **MATERIAL:** Stud, Nut & Washer – Steel, Zinc Plated  
 Base – Steel, Zinc Plated  
 Isolator – Nitrile Rubber Compound

- **FOR LOADS UP TO 3059 kgf (6744 lb.)**



Metric

Catalog Number	Max. Load kgf (lb.)	B	L	A	L <sub>m</sub>	M
V12Z24M080094	510 (1124)	80 (3.15)	94 (3.7)	29 (1.14)	65 (2.56)	M12
V12Z24M110144	1020 (2249)	110 (4.33)	144 (5.67)	34 (1.34)	110 (4.33)	M14
V12Z24M140155	1529 (3371)	140 (5.51)	155 (6.1)	45 (1.77)		M16
V12Z24M200224	3059 (6744)	200 (7.87)	224 (8.82)	74 (2.91)	150 (5.91)	M20

NOTE: Dimensions in ( ) are inch.

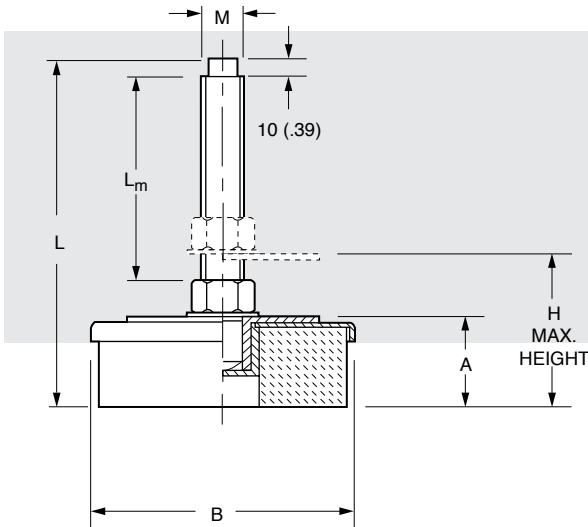


# Leveling Mounts – To 4079 kgf

www.vibrationmounts.com Phone: 516.328.3662 Fax: 516.328.3365

- **MATERIAL:** Housing – Steel, Zinc Plated  
Base – Steel, Zinc Plated  
Isolator – Nitrile Rubber Compound

- **FOR LOADS UP TO 4079 kgf (8993 lb.)**



Metric

3  
Leveling Mounts

NOTE: Dimensions in ( ) are inch.

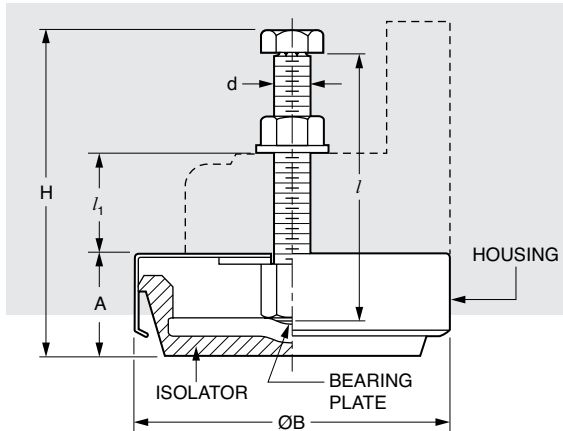
Catalog Number	Max. Load kgf (lb.)	B	L	A	H	L <sub>m</sub>	M
V12Z25M080140	510 (1124)	80 (3.15)	140 (5.52)	35 (1.38)	47 (1.85)	72 (2.83)	M12
V12Z25M120150	1020 (2249)	120 (4.72)	150 (5.91)	40 (1.57)	53 (2.09)		M16
V12Z25M160180	2039 (4495)	160 (6.30)	180 (7.09)	50 (1.97)	65 (2.56)	103 (4.06)	M20
V12Z25M200192	4079 (8993)	200 (7.87)	192 (7.56)	60 (2.36)	75 (2.95)		



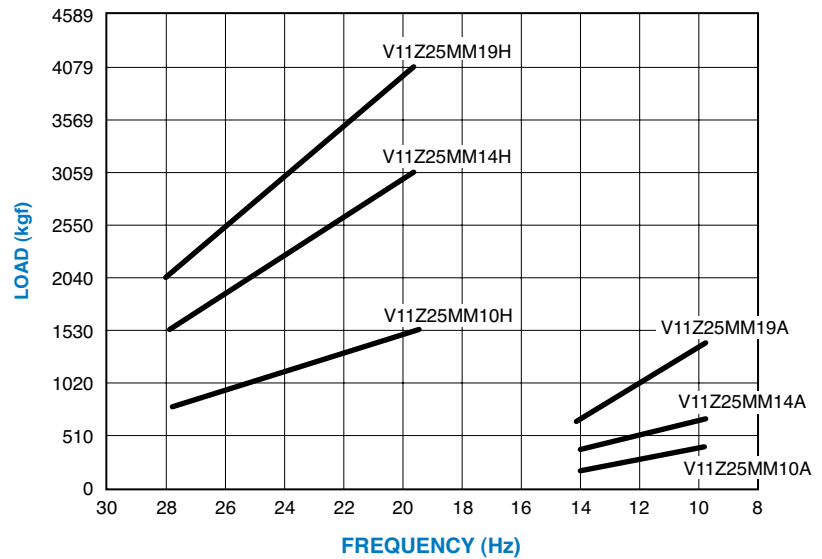
# Leveling Mounts – To 4079 kgf

www.vibrationmounts.com Phone: 516.328.3662 Fax: 516.328.3365

- **MATERIAL:** Bolt & Nut – Steel, Zinc Plated  
 Bearing Plate – Steel  
 Housing – Steel, Painted  
 Isolator – Neoprene



## Metric



Catalog Number	Load		B	A	H	l	d	l <sub>1</sub> Max Height Adjustment	Spring Rate kgf/mm (lb./in.) x 10 <sup>3</sup>
	Max. kgf (lb.)	Min. kgf (lb.)							
V11Z25MM10A	316.1 (696.9)	158.1 (348.6)	100 (3.94)	39 (1.54)	121 (4.76)	90 (3.54)	M12	18 (.71)	122.4 (6.85)
V11Z25MM10H	1529.6 (3372.2)	764.8 (1686.1)		35 (1.38)	148 (5.83)			22 (.87)	2345.3 (131.3)
V11Z25MM14A	642.4 (1416.2)	316.1 (696.9)	140 (5.51)	47 (1.85)	157 (6.18)	120 (4.72)	M16	19 (.75)	244.7 (13.7)
V11Z25MM14H	3059.1 (6744.1)	1529.6 (3372.2)		42 (1.65)	24 (.95)			4690.7 (262.7)	
V11Z25MM19A	1274.6 (2810)	642.4 (1416.2)	190 (7.48)	56 (2.21)	164 (6.46)		M20	25 (.98)	489.5 (27.4)
V11Z25MM19H	4078.9 (8992.3)	2039.4 (4496.1)		54 (2.13)	27 (1.06)			6322.2 (354)	

NOTE: Dimensions in ( ) are inch.

  
 Vibration Mounts