

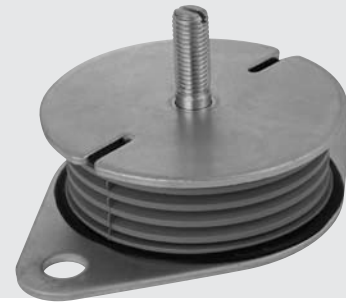
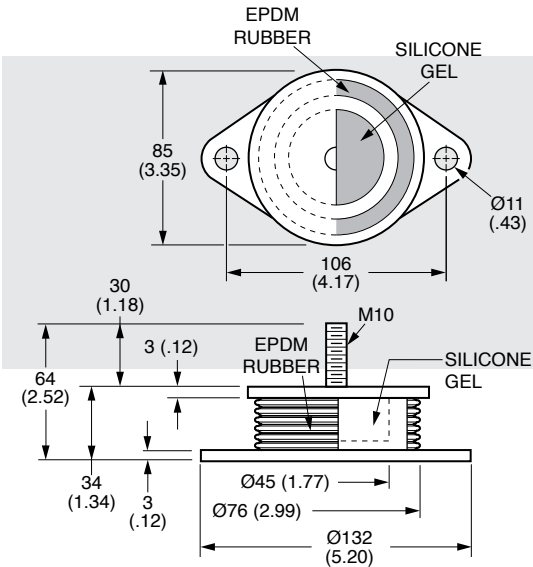


# Base Mounts – Bellows Type

www.vibrationmounts.com Phone: 516.328.3662 Fax: 516.328.3365

- **MATERIAL:** Isolators – Silicone Gel, EPDM Rubber  
Plate & Screw – Stainless Steel

- **FOR INTERMEDIATE LOAD APPLICATIONS (25 TO 75 kgf)**
  - OZONE, UV AND CHEMICAL RESISTANT
  - WATER WASHABLE
- **TO BE USED IN COMPRESSION ONLY**
  - SHOULD BE EVENLY LOADED



## Metric

### APPLICATIONS

- PUMP
- COMPRESSOR
- MANUFACTURING EQUIPMENT
- PRECISION EQUIPMENT

TEMPERATURE RANGE: -20°C to +99°C (-4°F to +194°F)

Catalog Number	Optimum Load kgf (lb.)	Resonance Point Hz	Resonance Magnification dB	Recommended Frequency Hz
V10Z63MSF30	25 to 35 (55 to 77)	8 ~ 9	18 ~ 19	13 ~
V10Z63MSF50	30 to 75 (66 to 165)	10 ~ 15	12 ~ 18	15 ~

NOTE: Dimensions in ( ) are inch.