

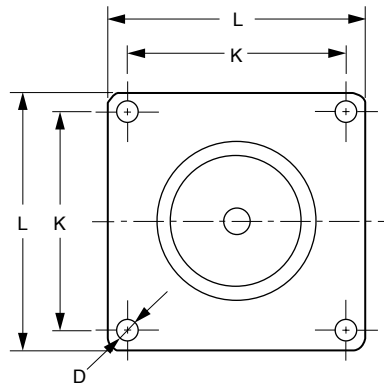
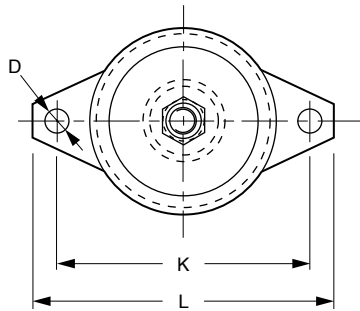
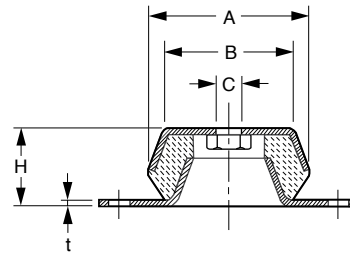
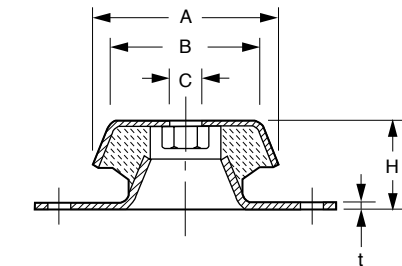
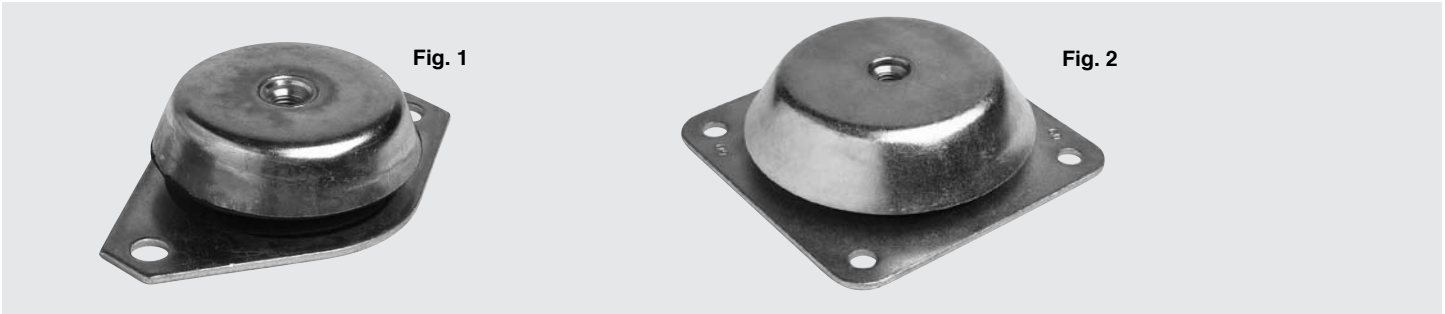


Base Mounts – Bell-Shaped

www.vibrationmounts.com Phone: 516.328.3662 Fax: 516.328.3365

- **MATERIAL:** Housing with Welded Nut – Steel, Zinc Plated
Isolator – Natural Rubber / Styrene-Butadiene Rubber Compound

- **FOR LOADS UP TO 887 kgf (1956 lb.)**

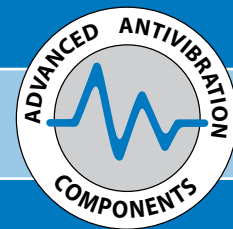


Metric

Base Mounts

Catalog Number	Fig. No.	A	B	C	Hardness Duro ±5	D	H	K	L	t	Static Load kgf (lb.)	Deflection mm (in.)
V12Z55M062M1045	1	62	50	M10	45	8.5	30	85	100	2	196 (432)	5.03 (.2)
V12Z55M062M1060		(2.44)	(1.97)		60	(.34)	(1.18)	(3.35)	(3.94)	(.08)	218 (480.6)	3.66 (.14)
V12Z55M062M1245		62	50	M12	45	8.5	30	85	100	2	196 (432)	5.03 (.2)
V12Z55M062M1260		(2.44)	(1.97)		60	(.34)	(1.18)	(3.35)	(3.94)	(.08)	218 (480.6)	3.66 (.14)
V12Z55M092M1245		92	72	M12	45	10.5	44	110	130	3	353 (778)	5.05 (.2)
V12Z55M092M1260		(3.62)	(2.83)		60	(.41)	(1.73)	(4.33)	(5.12)	(.12)	350 (771.6)	3.02 (.12)
V12Z55M092M1460		92	72	M14	60	10.5	44	110	130	3	350 (771.6)	3.02 (.12)
V12Z55M092M1660		(3.62)	(2.83)	M16	60	(.41)	(1.73)	(4.33)	(5.12)	(.12)	350 (771.6)	3.02 (.12)
V12Z55M119M1660		119	95	M16	60	16.5	48	160	190	4	654 (1442)	3.71 (.15)
V12Z55M119M2460		(4.69)	(3.74)	M24	60	(.65)	(1.89)	(6.3)	(7.48)	(.16)	654 (1442)	3.71 (.15)
V12Z55M150M1660	2	150	110	M16	60	12.5	51.5	132	168	4	510 (1124)	—
		(5.91)	(4.33)		60	(.49)	(20.3)	(5.2)	(6.61)	(.16)		
V12Z55M177M2060		177	125	M20	60	13	63	150	200	6	887 (1956)	—
	(6.97)	(4.92)			(.51)	(2.48)	(5.91)	(7.87)	(.24)			

NOTE: Dimensions in () are inch.

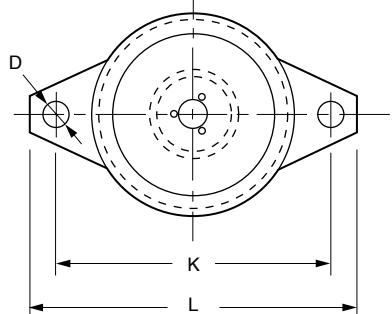
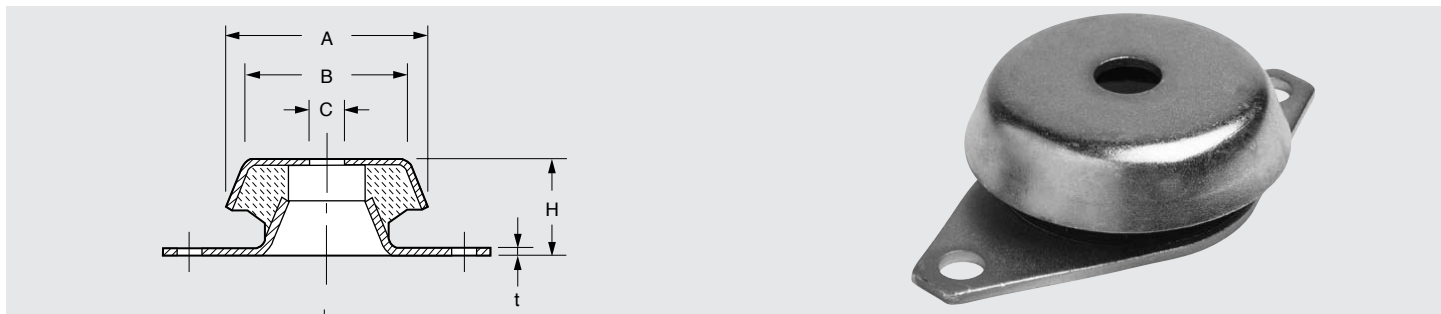


Base Mounts – Bell-Shaped

www.vibrationmounts.com Phone: 516.328.3662 Fax: 516.328.3365

- **MATERIAL:** Housing – Steel, Zinc Plated
Isolator – Natural Rubber / Styrene-Butadiene Rubber Compound

- **FOR LOADS UP TO 1235 kgf (2723 lb.)**



Metric



Base Mounts

Catalog Number	A	B	C	Hardness Duro ±5	D	H	K	L	t	Static Load kgf (lb.)	Deflection mm (in.)
V12Z56M048C0845	48	38	8.5	45	6.5	23	68	80	1.5	98 (216)	3.18 (.13)
V12Z56M048C0860	(1.89)	(1.5)	(.34)	60	(2.6)	(.91)	(2.68)	(3.15)	(.06)	104 (229.3)	3.04 (.12)
V12Z56M062C1045	62	50	10.5	45	8.5	30	85	100	2	196 (432)	5.03 (.2)
V12Z56M062C1060	(2.44)	(1.97)	(.41)	60	(.34)	(1.18)	(3.35)	(3.94)	(.08)	218 (480.6)	3.66 (.14)
V12Z56M092C1645	92	72	16.5	45	10.5	44	110	130	3	353 (778)	5.05 (.2)
V12Z56M092C1660	(3.62)	(2.83)	(.65)	60	(.41)	(1.73)	(4.33)	(5.12)	(.12)	350 (771.6)	3.02 (.12)
V12Z56M119C2445	119	95	24.5	45	16.5	48	160	190	4	674 (1486)	4.92 (.19)
V12Z56M119C2460	(4.69)	(3.74)	(.97)	60	(.65)	(1.89)	(6.3)	(7.48)	(.16)	654 (1442)	3.71 (.15)
V12Z56M158C3060	158	125	30.5	60	16.5	60	200	230	5	1235 (2723)	3.36 (.13)
	(6.22)	(4.92)	(1.2)		(.65)	(2.36)	(7.87)	(9.06)	(.2)		

NOTE: Dimensions in () are inch.