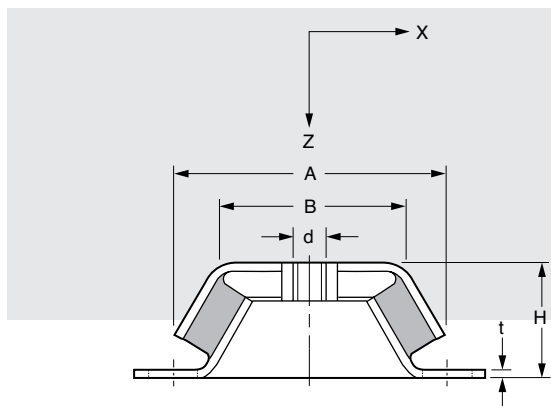


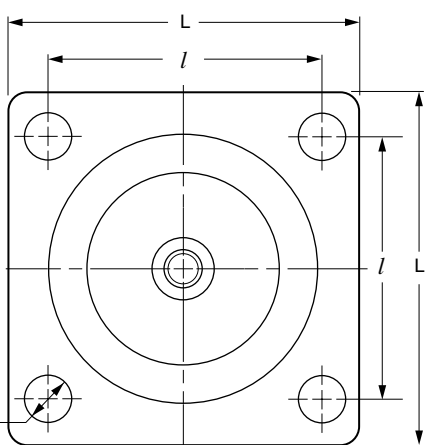
Base Mounts – Cup Type

www.vibrationmounts.com Phone: 516.328.3662 Fax: 516.328.3365

- **MATERIAL:** Isolator – Natural Rubber
Base – Steel, Painted



Metric



The projections shown are per ISO convention.

APPLICATIONS

- PUMPS
- FANS
- ENGINE-DRIVEN GENERATORS
- STARTERS
- COMPRESSORS
- CONSTRUCTION AND INDUSTRIAL MACHINERY

FEATURES:

- Uniform spring rate in any direction – suitable for damping of complex vibrating motion.
- Stiffness in the X-direction is much larger than the cylindrical mounts, and useful for mounting machines that have horizontal vibration.
- The rubber is largely protected from the sunlight and oil spills on account of the metal covering.
- Simple to install, you could easily place the units between the machine and the floor.

Catalog Number	A	B	d	d ₁	L	l	H	t	Load Z dir. kgf (lb.)	Max. Allowable Load kgf (lb.)	Spring Rate kgf/cm (lb.in.)	Ratio K _x /K _z	Max. Deflection
V11Z56MRC030	70 (2.76)	50 (1.97)	M10	12 (.47)	90 (3.54)	68 (2.68)	30 (1.18)	2.3 (.09)	60 (132)	120 (264)	400 (2240)	.97	3 (.12)
V11Z56MRC040	108 (4.25)	80 (3.15)	M12	14 (.55)	130 (5.12)	100 (3.94)	40 (1.58)	3.2 (.13)	120 (264)	225 (496)	450 (2520)	.90	5 (.20)
V11Z56MRC050	145 (5.71)	110 (4.33)	M16	18 (.71)	170 (6.69)	130 (5.12)	50 (1.97)	4.5 (.18)	180 (397)	350 (772)	500 (2800)	1.28	7 (.28)

NOTE: Dimensions in () are inch.