

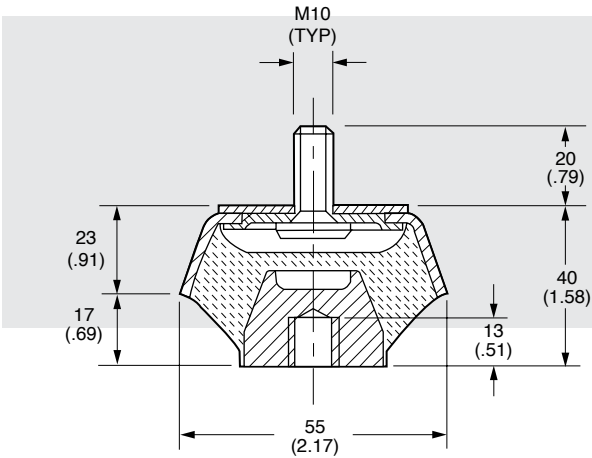


Mount – Bell-Shaped, Stud & Insert

www.vibrationmounts.com Phone: 516.328.3662 Fax: 516.328.3365

- **MATERIAL:** Housing – Steel, Zinc Plated
Stud & Insert – Steel, Zinc Plated
Isolator – Natural Rubber / Styrene-Butadiene Rubber Compound, 60 Durometer

- **FOR LOADS UP TO 153 kgf (337 lb.)**



NOTE: Dimensions in () are inch.



Metric



Catalog Number

V12Z23M055040

Base Mounts