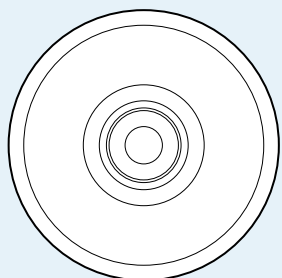


Single Bolt Isolator

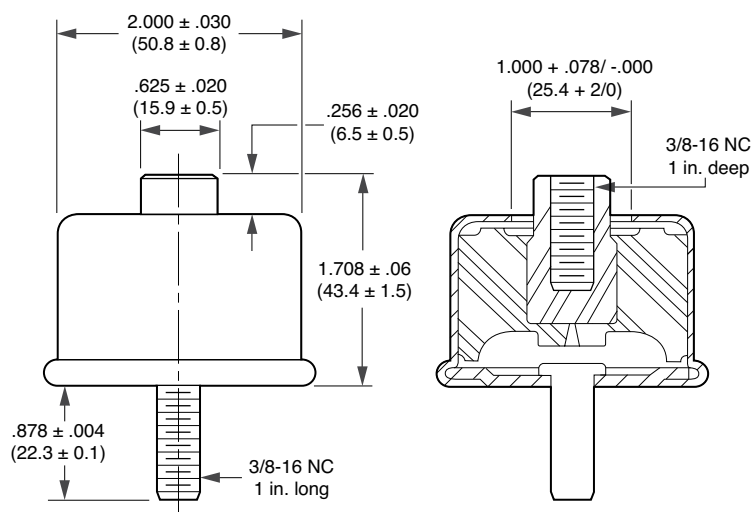
www.vibrationmounts.com Phone: 516.328.3662 Fax: 516.328.3365

- **MATERIAL:** Isolator – EPDM Rubber
Body – Aluminized Steel
Screw – Steel, Zinc Plated

- **SUPERIOR ENVIRONMENTAL CORROSION RESISTANCE**
- **STRENGTH OF STEEL WITH CORROSION RESISTANCE OF ALUMINUM**

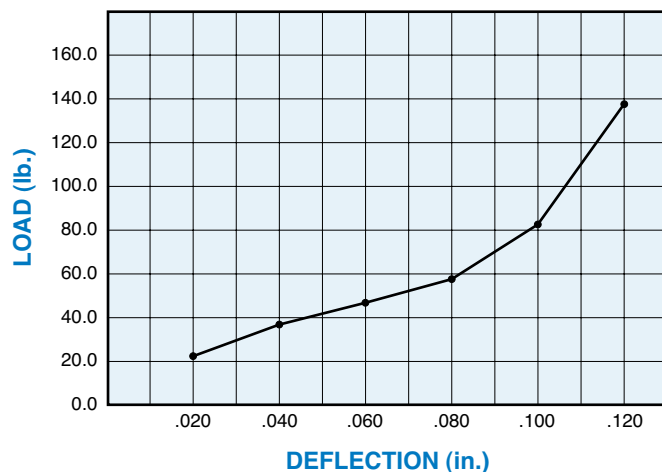


Base Mounts



NOTE: Dimensions in () are mm.

AXIAL LOAD CHART



APPLICATIONS

- VIBRATION DAMPENING IN HARSH ENVIRONMENTAL CONDITIONS

TEMPERATURE RANGE: -20°F to +250°F (-29°C to +121°C)

Catalog Number

V10Z83-17056