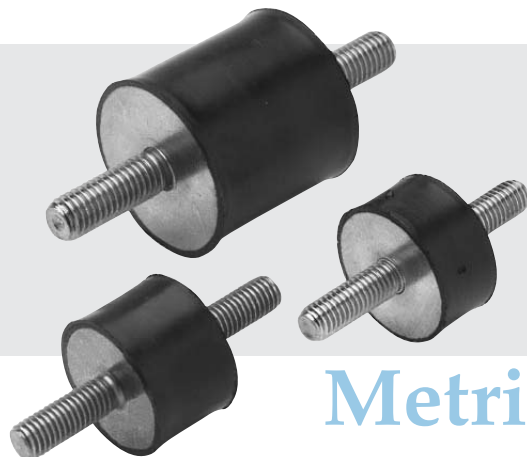
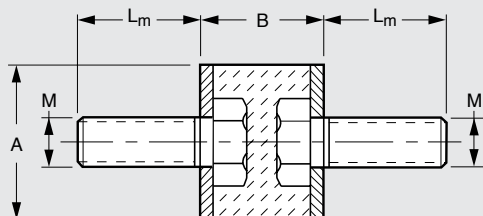


Cylindrical Mounts – To 109 kgf

www.vibrationmounts.com Phone: 516.328.3662 Fax: 516.328.3365

- **MATERIAL:** Fasteners – Steel, Zinc Plated
Isolator – Natural Rubber / Styrene-Butadiene Rubber Compound, 60 ±5 Durometer
- **FOR COMPRESSION LOADS OF 15.3 TO 109 kgf (33.7 TO 240 lb.)**
- **FOR SHEAR LOADS OF 2 TO 13.3 kgf (4.4 TO 29.3 lb.)**

Cylindrical Mounts



Metric

Catalog Number	A Diameter mm (in.)	B Length mm (in.)	M Thread Size	L _m Stud Length mm (in.)	Maximum Load kgf (lb.)				
					Compression	Shear			
V12Z02MMM151010	15 (.59)	10 (.39)	M4	10 (.39)	15.3 (33.7)	2 (4.4)			
V12Z02MMM151514		15 (.59)		14 (.55)					
V12Z02MMM201010	20 (.79)	10 (.39)	M6	10 (.39)	36.7 (80.9)	3.1 (6.8)			
V12Z02MMM201016				16 (.63)					
V12Z02MMM201516		15 (.59)		16 (.63)			34.7 (76.5)	4.1 (9)	
V12Z02MMM202016		20 (.79)							2 (4.4)
V12Z02MMM202516		25 (.98)		16 (.63)			24.5 (54)	2 (4.4)	
V12Z02MMM203016		30 (1.18)							3.1 (6.8)
V12Z02MMM251020	25 (.98)	10 (.39)	M6	20 (.79)	35.7 (78.7)	5.1 (11.2)			
V12Z02MMM251518		15 (.59)		18 (.71)					
V12Z02MMM252018		20 (.79)	M6	18 (.71)	45.9 (101)	5.1 (11.2)			
V12Z02MMM252020				20 (.79)			5.1 (11.2)		
V12Z02MMM252518		25 (.98)	M6	18 (.71)	40.8 (89.9)	5.1 (11.2)			
V12Z02MMM253018		30 (1.18)		18 (.71)			3.1 (6.8)		
V12Z02MMM253020		30 (1.18)	M8	20 (.79)	34.7 (76.5)	3.1 (6.8)			
V12Z02MMM301523		15 (.59)		23 (.91)			42.8 (94.4)	9.2 (20.3)	
V12Z02MMM302023		30 (1.18)	20 (.79)	M8	23 (.91)	67.3 (148)	9.2 (20.3)		
V12Z02MMM302520			25 (.98)		20 (.79)				
V12Z02MMM303023	30 (1.18)		23 (.91)		62.2 (137)			7.1 (15.7)	
V12Z02MMM304023	40 (1.57)				56 (123)			5.1 (11.2)	
V12Z02MMM402023	20 (.79)		M8		23 (.91)			64.2 (142)	12.2 (26.9)
V12Z02MMM403023	30 (1.18)				99.9 (220)				
V12Z02MMM403028	40 (1.57)	30 (1.18)	M10	28 (1.1)	99.9 (220)	15.3 (33.7)			
V12Z02MMM403523		35 (1.38)		23 (.91)			89.7 (198)	13.3 (29.3)	
V12Z02MMM404023		40 (1.57)	M8	23 (.91)	109.1 (241)	13.3 (29.3)			
V12Z02MMM404028				M10			28 (1.1)		

NOTE: Dimensions in () are inch.

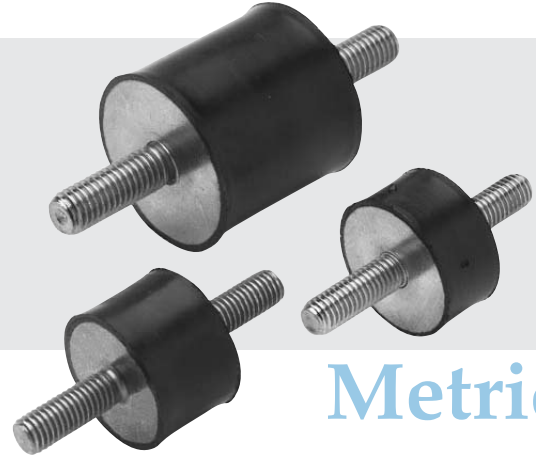
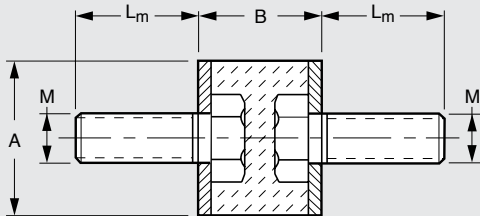
Continued on the next page



Cylindrical Mounts – To 713 kgf

www.vibrationmounts.com Phone: 516.328.3662 Fax: 516.328.3365

- **MATERIAL:** Fasteners – Steel, Zinc Plated
Isolator – Natural Rubber / Styrene-Butadiene Rubber Compound
- **FOR COMPRESSION LOADS OF 27.5 TO 713 kgf (60.6 TO 1574 lb.)**
- **FOR SHEAR LOADS OF 3.4 TO 112 kgf (7.5 TO 247 lb.)**

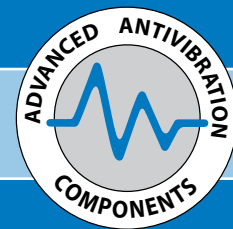


Metric

Cylindrical Mounts

Catalog Number	A Diameter mm (in.)	B Length mm (in.)	M Thread Size	L _m Stud Length mm (in.)	Maximum Load kgf (lb.)		Durometer ±5
					Compression	Shear	
V12Z02MMM502028	50 (1.97)	20 (.79)	M10	28 (1.1)	171.3 (376.9)	21.4 (47.2)	60
V12Z02MMM503028		30 (1.18)			161.1 (355)	19.4 (42.8)	
V12Z02MMM504028		40 (1.57)			145.8 (321)	17.3 (38.1)	
V12Z02MMM504528		45 (1.77)			138.7 (306)	16.3 (35.9)	
V12Z02MMM505028		50 (1.97)			135.6 (299)	13.3 (29.3)	
V12Z02MMM603037	60 (2.36)	30 (1.18)	M12	37 (1.46)	175.4 (387)	36.7 (80.9)	
V12Z02MMM604037		40 (1.57)	M10	35 (1.38)	202.9 (447)	24.5 (54)	
V12Z02MMM605035		50 (1.97)	M12	37 (1.46)	172.3 (380)	28.6 (63.1)	
V12Z02MMM605037	70 (2.76)	40 (1.57)	M10	28 (1.1)	214.1 (472)	40.8 (89.9)	
V12Z02MMM705028		50 (1.97)	M10	28 (1.1)	234.5 (517)	56.1 (124)	
V12Z02MMM705037		50 (1.97)	M12	37 (1.46)	234.5 (517)	56.1 (124)	
V12Z02MMM752537		25 (.98)	M12	37 (1.46)	389.5 (859)	90.8 (200)	
V12Z02MMM754037	40 (1.57)	384.4 (847)			80.6 (178)		
V12Z02MMM755037	50 (1.97)	379.3 (836)			70.4 (155)		
V12Z02MMMA03045	100 (3.94)	30 (1.18)	M16	45 (1.77)	713.8 (1574)	112.2 (247)	
V12Z02MMMA04045		40 (1.57)			698.5 (1540)	101 (223)	
V12Z02MMMA05045		50 (1.97)			571 (1259)	101 (223)	
V12Z02MMMA05545		55 (2.17)			647.5 (1427)	80.6 (178)	
V12Z02MMMA06045		60 (2.36)			598.6 (1320)	50 (110)	
V12Z02MMMT252018	25 (.98)	20 (.79)	M6	18 (.71)	27.5 (60.6)	3.4 (7.5)	45
V12Z02MMMT302023	30 (1.18)	20 (.79)	M8	23 (.91)	40.8 (89.9)	6.1 (13.4)	
V12Z02MMMT403023	40 (1.57)	30 (1.18)			60.1 (132.5)	10.2 (22.5)	

NOTE: Dimensions in () are inch.

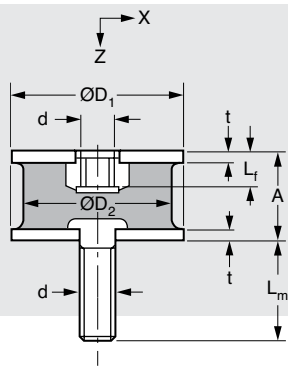


Cylindrical Mounts – To 29 kgf

www.vibrationmounts.com Phone: 516.328.3662 Fax: 516.328.3365

• **MATERIAL:** Isolator – Rubber
Plates & Screw – Steel

• **FOR LOADS UP TO 29 kgf (63.9 lbf)**



Metric

FEATURES:

- Simple design and economical
- Can be installed in small space
- Can support heavy loads due to the relatively high spring constant
- Allows mounting in various orientations in compression, shear and slanted angle loading

Catalog Number	A	D ₁	D ₂	L _m	L _r	d	t	Nominal Load Z direction kgf (lb.)
V11Z02MMFRA008	11 (.43)	8 (.31)	8 (.31)	10 (.39)	3.3 (.13)	M3	1 (.04)	2.1 (4.6)
V11Z02MMFRA010	13 (.51)	10 (.39)	10 (.39)	10 (.39)	4 (.16)	M4	1 (.04)	4.5 (9.9)
V11Z02MMFRA012	16 (.63)	12 (.47)	10 (.39)	12 (.47)	4.5 (.18)	M5	2 (.08)	8 (17.6)
V11Z02MMFRA015	15 (.59)	15 (.59)	12 (.47)	15 (.59)				13 (28.7)
V11Z02MMFRA020	15 (.59)	20 (.79)	15 (.59)	15 (.59)	5 (.20)	M6	2 (.08)	16 (35.3)

Catalog Number	* Max. Allowable Load		Spring Rate in Z dir. Kz kgf/cm (lb./in.)	Stiffness Ratio Kx/Kz
	X direction kgf (lb.)	Z direction kgf (lb.)		
V11Z02MMFRA008	0.7 (1.54)	3.7 (8.16)	17 (95.2)	0.17
V11Z02MMFRA010	1 (2.2)	8 (17.6)	28 (156.8)	0.16
V11Z02MMFRA012	2.5 (5.5)	11 (24.2)	63 (352.8)	0.20
V11Z02MMFRA015	3.5 (7.7)	16 (35.3)	110 (616)	0.24
V11Z02MMFRA020	7 (15.4)	29 (63.9)	180 (1008)	0.18

*Includes static and dynamic loads.
NOTE: Dimensions in () are inch.

Continued on the next page

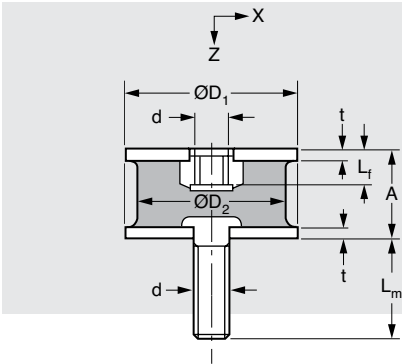


Cylindrical Mounts – To 280 kgf

www.vibrationmounts.com Phone: 516.328.3662 Fax: 516.328.3365

- **MATERIAL:** Isolator – Rubber
Plates & Screw – Steel

- **FOR LOADS UP TO 280 kgf (617.3 lbf)**



Metric

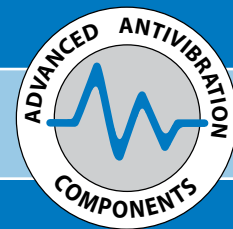
FEATURES:

- Simple design and economical
- Can be installed in small space
- Can support heavy loads due to the relatively high spring constant
- Allows mounting in various orientations in compression, shear and slanted angle loading

Catalog Number	A	D ₁	D ₂	L _m	L _r	d	t	Nominal Load Z direction kgf (lb.)
V11Z02MMFRA025	18 (.71)	25 (.98)	20 (.79)	18 (.71)	6 (.24)	M6	2.3 (.09)	29 (63.9)
V11Z02MMFRA030		30 (1.18)	25 (.98)	24 (.94)				85 (187.4)
V11Z02MMFRA035	26 (1.02)	35 (1.38)	30 (1.18)		7.2 (.28)	M8		56 (123.5)
V11Z02MMFRA040	25 (.98)	40 (1.57)	34 (1.34)	30 (1.18)			2.3 (.09)	71 (156.5)
V11Z02MMFRA050	27 (1.06)	50 (1.97)	42 (1.65)		9.2 (.36)	M10	3.2 (.13)	140 (308.6)

Catalog Number	* Max. Allowable Load		Spring Rate in Z dir. Kz kgf/cm (lb./in.)	Stiffness Ratio Kx/Kz
	X direction kgf (lb.)	Z direction kgf (lb.)		
V11Z02MMFRA025	10 (22)	59 (130.07)	220 (1232)	0.19
V11Z02MMFRA030	25 (55.1)	170 (374.8)	620 (3472)	0.15
V11Z02MMFRA035	27 (59.5)	110 (242.55)	260 (1456)	0.24
V11Z02MMFRA040	33 (72.75)	145 (319.67)	350 (1960)	0.23
V11Z02MMFRA050	48 (105.8)	280 (617.3)	680 (3808)	0.17

*Includes static and dynamic loads.
NOTE: Dimensions in () are inch.

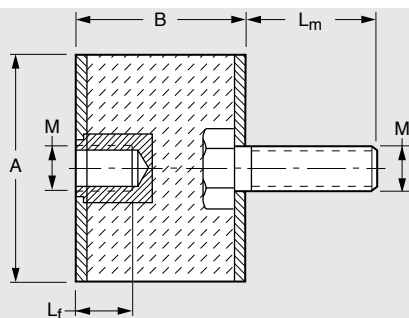


Cylindrical Mounts – To 228 kgf

www.vibrationmounts.com Phone: 516.328.3662 Fax: 516.328.3365

- **MATERIAL:** Fasteners – Steel, Zinc Plated
Isolator – Natural Rubber / Styrene-Butadiene Rubber Compound, 45 ±5 Durometer
- **FOR COMPRESSION LOADS OF 11.2 TO 228.4 kgf (24.7 TO 504 lb.)**
- **FOR SHEAR LOADS OF 1.3 TO 45.9 kgf (2.9 TO 101 lb.)**

Cylindrical Mounts



Metric

Catalog Number	A Diameter mm (in.)	B Length mm (in.)	M Thread Size	L _m Stud Length mm (in.)	L _f Thread Depth mm (in.)	Maximum Load kgf (lb.)	
						Compression	Shear
V12Z02MMFT202516	20 (.79)	25 (.98)	M6	16 (.63)	6 (.24)	11.2 (24.7)	1.3 (2.9)
V12Z02MMFT252018	25 (.98)	20 (.79)		18 (.71)	8 (.31)	27.5 (60.6)	3.4 (7.5)
V12Z02MMFT303023	30 (1.18)	30 (1.18)	M8	23 (.91)	10 (.39)	37.7 (83.1)	4.8 (10.6)
V12Z02MMFT403023	40 (1.57)					60.2 (133)	10.2 (22.5)
V12Z02MMFT503028	50 (1.97)	30 (1.18)	M10	28 (1.1)	10 (.39)	96.9 (214)	13.3 (29.3)
V12Z02MMFT505028	50 (1.97)	50 (1.97)				81.6 (180)	9.6 (21.2)
V12Z02MMFT603530	60 (2.36)	35 (1.38)	M10	30 (1.18)	10 (.39)	139.7 (308)	27.5 (60.6)
V12Z02MMFT755037	75 (2.95)	50 (1.97)	M12	37 (1.46)	11 (.43)	228.4 (504)	45.9 (101)

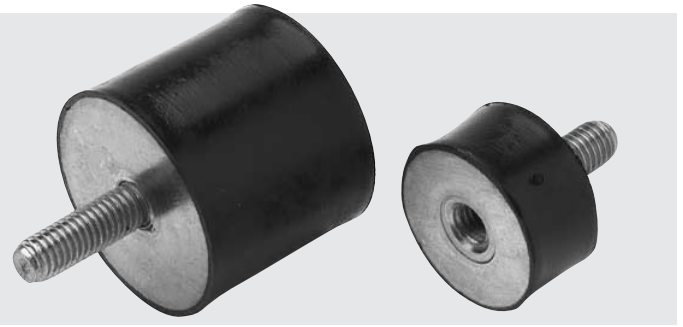
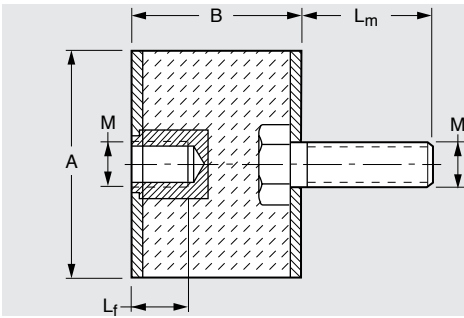
NOTE: Dimensions in () are inch.



Cylindrical Mounts – To 734 kgf

www.vibrationmounts.com Phone: 516.328.3662 Fax: 516.328.3365

- **MATERIAL:** Fasteners – Steel, Zinc Plated
Isolator – Natural Rubber / Styrene-Butadiene Rubber Compound, 60 ±5 Durometer
- **FOR COMPRESSION LOADS OF 15.3 TO 734.2 kgf (33.7 TO 1618 lb.)**
- **FOR SHEAR LOADS OF 3.1 TO 112.2 kgf (6.8 TO 247 lb.)**

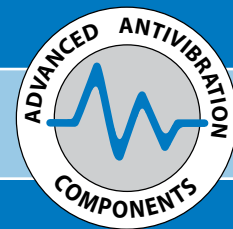


Metric

Cylindrical Mounts

Catalog Number	A Diameter mm (in.)	B Length mm (in.)	M Thread Size	L _m Stud Length mm (in.)	L _f Thread Depth mm (in.)	Maximum Load kgf (lb.)	
						Compression	Shear
V12Z02MMF151514	15 (.59)	15 (.59)	M4	14 (.55)	4 (.16)	15.3 (33.7)	3.1 (6.8)
V12Z02MMF201516	20 (.79)	15 (.59)	M6	16 (.63)	6 (.24)	34.7 (76.5)	3.1 (6.8)
V12Z02MMF202016		20 (.79)		8 (.31)	29.6 (65.3)	2 (4.4)	
V12Z02MMF202516		25 (.98)	6 (.24)	19.4 (42.8)			
V12Z02MMF203016	25 (.98)	30 (1.18)	M6	16 (.63)	6 (.24)	15.3 (33.7)	2 (4.4)
V12Z02MMF251518		15 (.59)		18 (.71)	6 (.24)	40.8 (89.9)	6.1 (13.4)
V12Z02MMF252018		20 (.79)	8 (.31)	45.9 (101.2)	5.1 (11.2)		
V12Z02MMF252020	25 (.98)	20 (.79)	M8	20 (.79)	8 (.31)	45.9 (101.2)	5.1 (11.2)
V12Z02MMF252518		25 (.98)	M6	18 (.71)	8 (.31)	40.8 (89.9)	4.1 (9)
V12Z02MMF253018		30 (1.18)		35.7 (78.7)	3.1 (6.8)		
V12Z02MMF301518	30 (1.18)	15 (.59)	M8	18 (.71)	8 (.31)	59.1 (130.3)	10.2 (22.5)
V12Z02MMF302014		20 (.79)		6 (.24)	67.3 (10.2)	9.2 (20.3)	
V12Z02MMF302023		20 (.79)	M8	23 (.91)	6 (.24)	67.3 (148.4)	9.2 (20.3)
V12Z02MMF303023	30 (1.18)	10 (.39)		62.2 (137.1)	7.1 (15.7)		
V12Z02MMF304023	40 (1.57)	40 (1.57)	M8	23 (.91)	10 (.39)	55.1 (121.5)	5.1 (11.2)
V12Z02MMF402023		20 (.79)		6 (.24)	89.7 (197.8)	16.3 (35.9)	
V12Z02MMF403023		30 (1.18)	10 (.39)	99.9 (220.2)	15.3 (33.7)		
V12Z02MMF403028	40 (1.57)	30 (1.18)	M10	28 (1.1)	10 (.39)	99.9 (220.2)	15.3 (33.7)
V12Z02MMF403523		35 (1.38)	M8	23 (.91)	10 (.39)	89.7 (197.8)	13.3 (29.3)
V12Z02MMF404023		40 (1.57)	M8	23 (.91)	10 (.39)	110.1 (242.7)	13.3 (29.3)
V12Z02MMF404028	40 (1.57)	M10		28 (1.1)			
V12Z02MMF502028	50 (1.97)	20 (.79)	M10	28 (1.1)	10 (.39)	172.3 (379.9)	21.4 (47.2)
V12Z02MMF503028		30 (1.18)		162.1 (357.4)	20.4 (45)		
V12Z02MMF504028		40 (1.57)	M10	28 (1.1)	10 (.39)	146.8 (323.6)	18.4 (40.6)
V12Z02MMF505028	50 (1.97)	136.6 (301.1)		14.3 (31.5)			
V12Z02MMF603037	60 (2.36)	30 (1.18)	M12	37 (1.46)	11 (.43)	232.5 (512.6)	40.8 (89.9)
V12Z02MMF603528		35 (1.38)	M10	28 (1.1)	10 (.39)		
V12Z02MMF604028		40 (1.57)	M12	28 (1.1)	11 (.43)	218.2 (481)	30.6 (67.5)
V12Z02MMF605035	70 (2.76)	50 (1.97)	M10	35 (1.38)	10 (.39)	203.9 (449.5)	24.4 (53.8)
V12Z02MMF605037		50 (1.97)	M12	37 (1.46)	11 (.43)	203.9 (449.5)	24.4 (53.8)
V12Z02MMF705037		50 (1.97)	M12	37 (1.46)	11 (.43)	285.5 (629.4)	38.7 (85.3)
V12Z02MMF752537	75 (2.95)	25 (.98)	M12	37 (1.46)	11 (.43)	389.5 (858.7)	90.8 (200.2)
V12Z02MMF754037		40 (1.57)				385.5 (849.9)	79.5 (175.3)
V12Z02MMF755037		50 (1.97)	380.4 (838.6)	69.3 (152.8)			
V12Z02MMFA03045	100 (3.94)	30 (1.18)	M16	45 (1.77)	16 (.63)	734.2 (1618.6)	112.2 (247.4)
V12Z02MMFA04045		40 (1.57)				699.5 (1542.1)	99.9 (220.2)
V12Z02MMFA05045		50 (1.97)	673 (1483.7)	99.9 (220.2)			
V12Z02MMFA05545	55 (2.17)	648.5 (1429.7)	79.5 (175.3)				
V12Z02MMFA06045	60 (2.36)	597.6 (1317.5)	48.9 (107.8)				

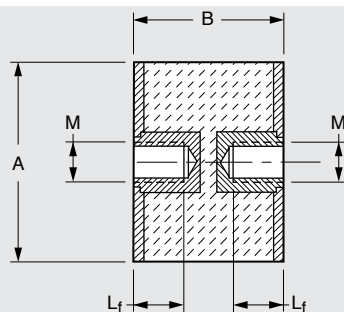
NOTE: Dimensions in () are inch.



Cylindrical Mounts – To 673 kgf

www.vibrationmounts.com Phone: 516.328.3662 Fax: 516.328.3365

- **MATERIAL:** Fasteners – Steel, Zinc Plated
Isolator – Natural Rubber / Styrene-Butadiene Rubber Compound, 60 ±5 Durometer
- **FOR COMPRESSION LOADS OF 15.3 TO 673 kgf (33.7 TO 1484 lb.)**
- **FOR SHEAR LOADS OF 2 TO 100 kgf (4.4 TO 220 lb.)**



Metric

Catalog Number	A Diameter mm (in.)	B Length mm (in.)	M Thread Size	L _f Thread Depth mm (in.)	Maximum Load kgf (lb.)	
					Compression	Shear
V12Z02MFF151504	15 (.59)	15 (.59)	M4	4 (.16)	15.3 (33.7)	2 (4.4)
V12Z02MFF202006	20 (.79)	20 (.79)	M6	6 (.24)	20.4 (45)	2 (4.4)
V12Z02MFF202506		25 (.98)			18.3 (40.3)	
V12Z02MFF203006		30 (1.18)			16.3 (35.9)	
V12Z02MFF252008	25 (.98)	20 (.79)	M6	8 (.31)	45.9 (101)	5 (11)
V12Z02MFF252508		25 (.98)			42.8 (94.4)	4 (8.8)
V12Z02MFF253008		30 (1.18)			35.6 (78.5)	3 (6.6)
V12Z02MFF302006	30 (1.18)	20 (.79)	M8	6 (.24)	67.3 (148)	9.1 (20.1)
V12Z02MFF303010		30 (1.18)			62.2 (137)	8.1 (17.9)
V12Z02MFF304010		40 (1.57)			55 (121)	5 (11)
V12Z02MFF403010	40 (1.57)	30 (1.18)	M8	10 (.39)	100 (220)	15.3 (33.7)
V12Z02MFF403010L			M10			
V12Z02MFF403510	40 (1.57)	35 (1.38)	M8	10 (.39)	110.1 (243)	13.3 (29.3)
V12Z02MFF404010		40 (1.57)	M8			
V12Z02MFF404010L		40 (1.57)	M10			
V12Z02MFF503010	50 (1.97)	30 (1.18)	M10	10 (.39)	172.3 (380)	19.4 (42.8)
V12Z02MFF504010		40 (1.57)			146.8 (324)	17.3 (38.1)
V12Z02MFF505010		50 (1.97)			136.6 (301)	13.3 (29.3)
V12Z02MFF603010	60 (2.36)	30 (1.18)	M10	10 (.39)	214.1 (472)	30.6 (67.5)
V12Z02MFF603012		30 (1.18)	M12	12 (.47)	214.1 (472)	30.6 (67.5)
V12Z02MFF604011		40 (1.57)	M12	11 (.43)	214.1 (472)	30.6 (67.5)
V12Z02MFF605010		50 (1.97)	M10	10 (.39)	204 (450)	24.5 (54)
V12Z02MFF754012	75 (2.95)	40 (1.57)	M12	12 (.47)	385.4 (850)	79.5 (175)
V12Z02MFF755012		50 (1.97)			380.3 (838)	69.3 (153)
V12Z02MFFA05014	100 (3.94)	50 (1.97)	M16	14 (.55)	673 (1484)	100 (220)
V12Z02MFFA05514		55 (2.17)			648.5 (1430)	79.5 (175)
V12Z02MFFA06014		60 (2.36)			601.6 (1326)	49.9 (110)

NOTE: Dimensions in () are inch.



Cylindrical Mounts – To 480 kgf

www.vibrationmounts.com Phone: 516.328.3662 Fax: 516.328.3365

- **MATERIAL:** Fastener – Steel, Zinc Plated
Isolator – Natural Rubber / Styrene-Butadiene Rubber Compound, 60 ±5 Durometer
- **FOR COMPRESSION LOADS OF 10.2 TO 480.3 kgf (22.5 TO 1059 lb.)**

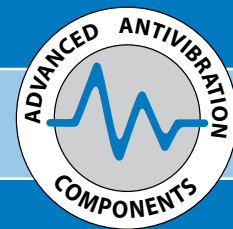


Cylindrical Mounts

Metric

Catalog Number	A Diameter mm (in.)	B Length mm (in.)	M Thread Size	L _m Stud Length mm (in.)	Max. Load Compression kgf (lb.)
V12Z02MMB151514	15 (.59)	15 (.59)	M4	14 (.55)	10.2 (22.5)
V12Z02MMB161012	16 (.63)	10 (.39)	M5	12 (.47)	12.2 (26.9)
V12Z02MMB201016	20 (.79)	10 (.39)	M6	16 (.63)	16.3 (35.9)
V12Z02MMB201516		15 (.59)			18.3 (40.3)
V12Z02MMB202016	20 (.79)	20 (.79)	M6	16 (.63)	18.3 (40.3)
V12Z02MMB202516		25 (.98)			18.3 (40.3)
V12Z02MMB203016		30 (1.18)			16.3 (35.9)
V12Z02MMB251518	25 (.98)	15 (.59)	M6	18 (.71)	29.6 (65.3)
V12Z02MMB252018		20 (.79)	M8	20 (.79)	29.6 (65.3)
V12Z02MMB252518		25 (.98)		18 (.71)	
V12Z02MMB253018		30 (1.18)	M6	18 (.71)	29.6 (65.3)
V12Z02MMB253020	30 (1.18)		M8	20 (.79)	
V12Z02MMB301023		10 (.39)	M8	23 (.91)	42.8 (94.4)
V12Z02MMB301523		15 (.59)			
V12Z02MMB302023		20 (.79)	M8	23 (.91)	42.8 (94.4)
V12Z02MMB302523	25 (.98)				
V12Z02MMB303023	30 (1.18)				
V12Z02MMB304023	40 (1.57)				
V12Z02MMB402023	40 (1.57)	20 (.79)	M8	23 (.91)	58.1 (128)
V12Z02MMB403023		30 (1.18)			76.5 (169)
V12Z02MMB403028		30 (1.18)			M10
V12Z02MMB403523	40 (1.57)	35 (1.38)	M8	23 (.91)	76.5 (169)
V12Z02MMB404023		40 (1.57)	M8	23 (.91)	76.5 (169)
V12Z02MMB404028		40 (1.57)	M10	28 (1.1)	76.5 (169)
V12Z02MMB502028	50 (1.97)	20 (.79)	M10	28 (1.1)	119.3 (263)
V12Z02MMB503028		30 (1.18)			
V12Z02MMB504028	50 (1.97)	40 (1.57)	M10	28 (1.1)	119.3 (263)
V12Z02MMB504528		45 (1.77)			
V12Z02MMB505028		50 (1.97)			
V12Z02MMB602037	60 (2.36)	20 (.79)	M12	37 (1.46)	172.3 (380)
V12Z02MMB603037		30 (1.18)			
V12Z02MMB604037		40 (1.57)			
V12Z02MMB605035	60 (2.36)	50 (1.97)	M10	35 (1.38)	172.3 (380)
V12Z02MMB605037		50 (1.97)	M12	37 (1.46)	
V12Z02MMB752537	75 (2.95)	25 (.98)	M12	37 (1.46)	270.3 (596)
V12Z02MMB754037		40 (1.57)			
V12Z02MMB755037		50 (1.97)			
V12Z02MMBA04045	100 (3.94)	40 (1.57)	M16	45 (1.77)	480.3 (1059)
V12Z02MMBA05045		50 (1.97)			

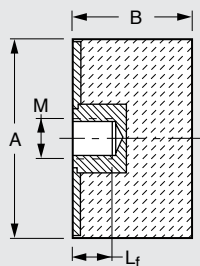
NOTE: Dimensions in () are inch.



Cylindrical Mounts – To 119 kgf

www.vibrationmounts.com Phone: 516.328.3662 Fax: 516.328.3365

- **MATERIAL:** Fastener – Steel, Zinc Plated
Isolator – Natural Rubber / Styrene-Butadiene Rubber Compound, 60 ±5 Durometer
- **FOR COMPRESSION LOADS OF 29.6 TO 119.3 kgf (65.3 TO 263 lb.)**



Cylindrical Mounts

Catalog Number	A Diameter mm (in.)	B Length mm (in.)	M Thread Size	L _f Thread Depth mm (in.)	Max. Load Compression kgf (lb.)
V12Z02MFB252008	25 (.98)	20 (.79)	M6	8 (.31)	29.6 (65.3)
V12Z02MFB302006	30 (1.18)	20 (.79)	M8	6 (.24)	42.8 (94.4)
V12Z02MFB403010	40 (1.57)	30 (1.18)	M8	10 (.39)	76.5 (168.7)
V12Z02MFB503009	50 (1.97)	30 (1.18)	M10	9 (.35)	119.3 (263)

NOTE: Dimensions in () are inch.