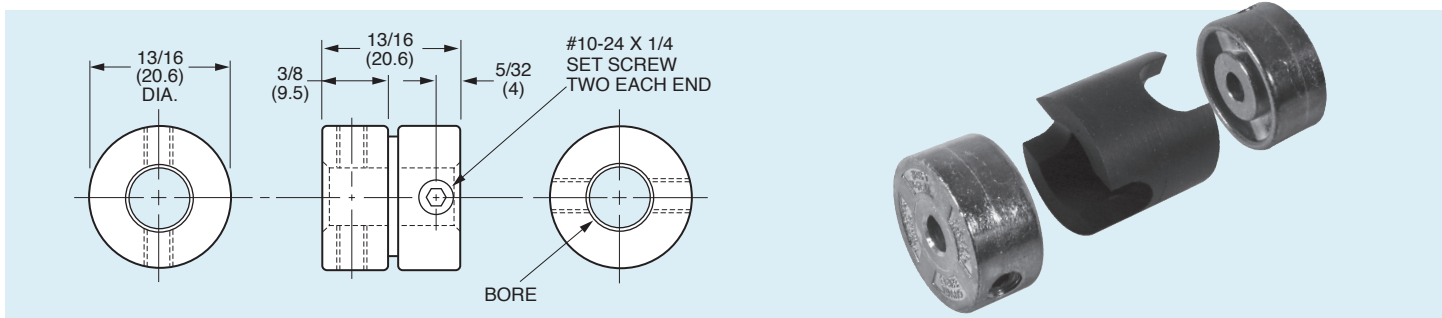




Couplings – Flexible – Bantam

www.vibrationmounts.com Phone: 516.328.3662 Fax: 516.328.3365

- **MATERIAL:** Hubs – Zinc Alloy Die Cast, Chromated
Sleeve – Natsyn™ Polyisoprene Rubber



FEATURES:

Isolates vibration up to 85%
Sleeve provides electrical insulation

CAPACITY RATING:

1/20 hp @ 1725 rpm or 30 oz. in.
(0.21 N•m)

MISALIGNMENT COMPENSATION

Max. Angular Offset – 1-1/2°
Max. Lateral Offset – .010 (0.25)

Dimensions in () are mm.

Catalog Number			Bore +.0015 (+0.038) -.0000 (0)
Complete Coupling	Hub Only	Sleeve Only	
V 5Z25-104	V 5D25-104	V 5R25-1	1/8 (3.2)
V 5Z25-106	V 5D25-106		3/16 (4.8)
V 5Z25-108	V 5D25-108		1/4 (6.4)
V 5Z25-110	V 5D25-110		5/16 (7.9)