

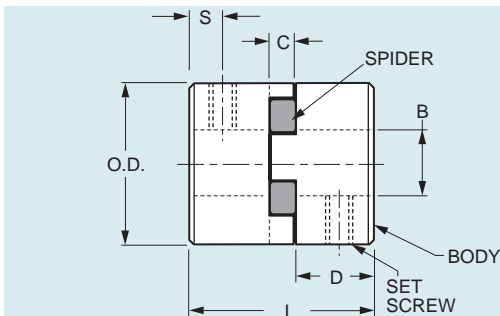
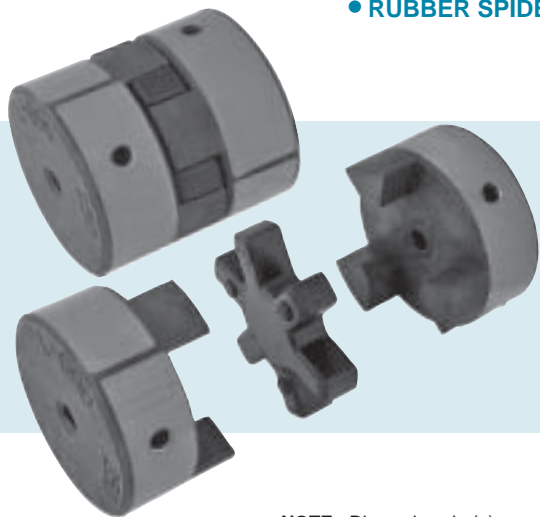


Couplings – Flexible – Jaw Type

www.vibrationmounts.com Phone: 516.328.3662 Fax: 516.328.3365

● **MATERIAL:** Body – Sintered Iron
Spider – NBR Rubber – 80 Durometer

● **RUBBER SPIDER**



MISALIGNMENT COMPENSATION

Max. Angular Offset – 1°

Max. Lateral Offset – .015 (0.38)

NOTE: Dimensions in () are mm.

Coupling Series (Reference Only)	O.D.	L Overall Length	C Distance Between Flanges	D Length Through Bore	Set Screw	S	Rated Torque lb. in. (N•m)	H.P. @ 1800 rpm
V 5Z 3-035..	5/8 (15.9)	13/16 (20.6)	9/32 (7.1)	17/64 (6.7)	#6 - 32	.13 (3.3)	3.5 (0.4)	.10
V 5Z 3-050..	1-5/64 (27.4)	1-23/32 (43.4)	15/32 (11.9)	5/8 (15.9)	1/4 - 20	.31 (7.9)	26.3 (3)	.75
V 5Z 3-070..	1-23/64 (34.5)	2 (50.8)	1/2 (12.7)	3/4 (19.1)	1/4 - 20	.38 (9.7)	43.2 (4.9)	1.20
V 5Z 3-075..	1-3/4 (44.5)	2-1/8 (54)	1/2 (12.7)	13/16 (20.6)	1/4 - 20	.31 (7.9)	90.0 (10.2)	2.50
V 5Z 3-090..	2-7/64 (53.6)	2-1/8 (54)	1/2 (12.7)	13/16 (20.6)	1/4 - 20	.44 (11.2)	144.0 (16.3)	4.00

NOTE: If couplings are run at 3600 rpm, H.P. values shown in table can be doubled.

Catalog Number			B Bore Size	Approximate Weight @ Max. Bore lb. (kg)	Windup @ Maximum Torque deg.
Complete Coupling	Body Only	Spider Only			
V 5Z 3-03504	V 5D 3-03504	V 5R 3-035 *	1/8 (3.18)	.1 (0.05)	5.0
V 5Z 3-03506	V 5D 3-03506		3/16 (4.76)		
V 5Z 3-03508	V 5D 3-03508		1/4 (6.35)		
V 5Z 3-03510	V 5D 3-03510		5/16 (7.94)		
V 5Z 3-03512	V 5D 3-03512		3/8 (9.53)		
V 5Z 3-05008	V 5D 3-05008	V 5R 3-050 *	1/4 (6.35)	.2 (0.09)	4.5
V 5Z 3-05010	V 5D 3-05010		5/16 (7.94)		
V 5Z 3-05012	V 5D 3-05012		3/8 (9.53)		
V 5Z 3-05014	V 5D 3-05014		7/16 (11.11)		
V 5Z 3-05016	V 5D 3-05016		1/2 (12.7)		
V 5Z 3-07012	V 5D 3-07012	V 5R 3-070	3/8 (9.53)	.4 (0.18)	3.5
V 5Z 3-07014	V 5D 3-07014		7/16 (11.11)		
V 5Z 3-07016	V 5D 3-07016		1/2 (12.7)		
V 5Z 3-07508	V 5D 3-07508		1/4 (6.35)		
V 5Z 3-07510	V 5D 3-07510		5/16 (7.94)		
V 5Z 3-07512	V 5D 3-07512	V 5R 3-075	3/8 (9.53)	.8 (0.36)	4.7
V 5Z 3-07514	V 5D 3-07514		7/16 (11.11)		
V 5Z 3-07516	V 5D 3-07516		1/2 (12.7)		
V 5Z 3-09008	V 5D 3-09008		1/4 (6.35)		
V 5Z 3-09010	V 5D 3-09010		5/16 (7.94)		
V 5Z 3-09012	V 5D 3-09012	V 5R 3-090	3/8 (9.53)	1.2 (0.54)	3.2
V 5Z 3-09014	V 5D 3-09014		7/16 (11.11)		
V 5Z 3-09016	V 5D 3-09016		1/2 (12.7)		

NOTE: Complete coupling consists of two bodies plus spider.

* These spiders have four legs only.