

Vinyl Elastomer Grommets

www.vibrationmounts.com Phone: 516.328.3662 Fax: 516.328.3365

• MATERIAL: Highly-Damped Blue Vinyl Elastomer

• VIBRATION & SHOCK CONTROL • SMALL SIZES
• NOISE CONTROL • EXCELLENT PHYSICAL INTEGRITY

New

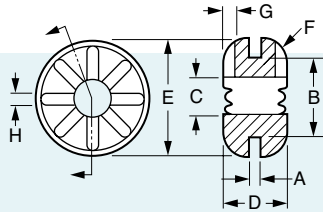


Fig. 1

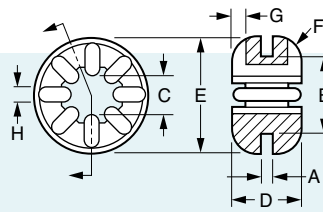


Fig. 2

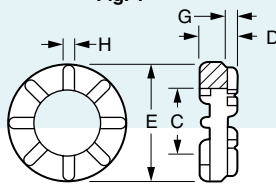


Fig. 3

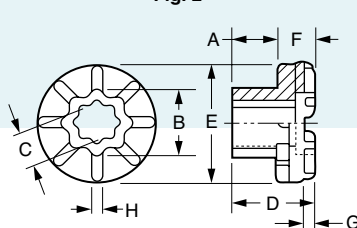


Fig. 4

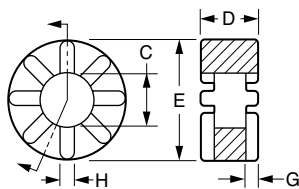


Fig. 5

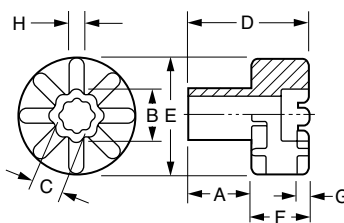


Fig. 6



Fig. 1



Fig. 2



Fig. 4



Fig. 3

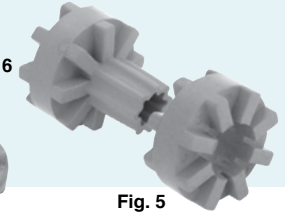


Fig. 5

APPLICATIONS

- COMPUTER DISK DRIVES
- COMPUTER PRINTERS AND PERIPHERALS
- PRECISION EQUIPMENT – MEDICAL, OFFICE AND LABORATORY

PEAK PERFORMANCE TEMPERATURE RANGE: 55°F TO 105°F (13°C TO 41°C)

| Catalog Number | Fig. No. | A Plate Thickness in. (mm) | B Hole Diameter in. (mm) | C Inside Diameter in. (mm) | D Overall Height in. (mm) | E Outside Diameter in. (mm) | F Edge Radius in. (mm) | G Rib Height in. (mm) | H Rib Width in. (mm) | Load lb. (N) |
|----------------|----------|----------------------------|--------------------------|----------------------------|---------------------------|-----------------------------|------------------------|-----------------------|----------------------|--------------|
| V10R14-G401-1 | 1 | .063 (1.60) | .375 (9.53) | .224 (5.69) | .313 (7.95) | .563 (14.30) | .125 (3.18) | .063 (1.60) | .063 (1.60) | 6 (26.7) |
| V10R14-G402-1 | | .125 (3.18) | | .226 (5.74) | .375 (9.53) | | | | | |
| V10R14-G403-1 | | .063 (1.60) | | .276 (7.01) | .313 (7.95) | .625 (15.88) | | | | |
| V10R14-G404-1 | | .125 (3.18) | | .281 (7.14) | .375 (9.53) | | | | | |
| V10R14-G410-1 | 2 | .057 (1.45) | .250 (6.35) | .158 (4.01) | .230 (5.84) | .379 (9.63) | .050 (1.27) | .040 (1.02) | .050 (1.27) | 3 (13.3) |
| V10R14-G411-1 | | .063 (1.60) | .375 (9.53) | .188 (4.78) | .323 (8.20) | .563 (14.30) | .130 (3.30) | .063 (1.60) | .063 (1.60) | 6 (26.7) |
| V10R14-G412-1 | | .031 (0.79) | .250 (6.35) | .158 (4.01) | .230 (5.84) | .379 (9.63) | .050 (1.27) | .040 (1.02) | .050 (1.27) | 3 (13.3) |
| V10R14-G414-1 | | .043 (1.09) | .375 (9.53) | .188 (4.78) | .323 (8.20) | .563 (14.30) | .130 (3.30) | .063 (1.60) | .063 (1.60) | 6 (26.7) |

| Catalog Number | Fig. No. | A Shank Height in. (mm) | B Shank Diameter in. (mm) | C Inside Diameter in. (mm) | D Overall Height in. (mm) | E Flange Diameter in. (mm) | F Flange Height in. (mm) | G Rib Height in. (mm) | H Rib Width in. (mm) | Load lb. (N) |
|----------------|----------|-------------------------|---------------------------|----------------------------|---------------------------|----------------------------|--------------------------|-----------------------|----------------------|--------------|
| V10R82-F10-1 | 3 | — | — | .460 (11.68) | .250 (6.35) | .813 (20.65) | — | .078 (1.98) | .085 (2.16) | 10 (44.5) |
| V10R82-M10-1 | 4 | .313 (7.95) | .469 (11.91) | .260 (6.60) | .563 (14.30) | | .250 (6.35) | | | |
| V10R82-F25-1 | 5 | — | — | .457 (11.61) | .520 (13.21) | 1.000 (25.40) | — | .132 (3.35) | .125 (3.18) | 25 (111.2) |
| V10R82-M25-1 | 6 | .544 (13.82) | .473 (12.01) | .260 (6.60) | 1.060 (26.92) | | .516 (13.11) | | .135 (3.43) | |



Bolt Mounts – Silicone Gel Type

www.vibrationmounts.com Phone: 516.328.3662 Fax: 516.328.3365

• **MATERIAL:** Collar – Brass
Bushing – Silicone Gel

• **PROTECTS FRAGILE SUBJECTS FROM MICROVIBRATIONS AND LIGHT SHOCKS**

New

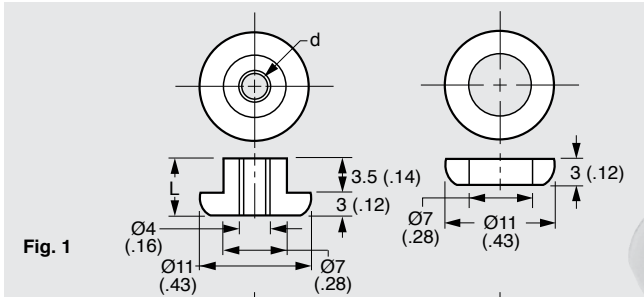


Fig. 1

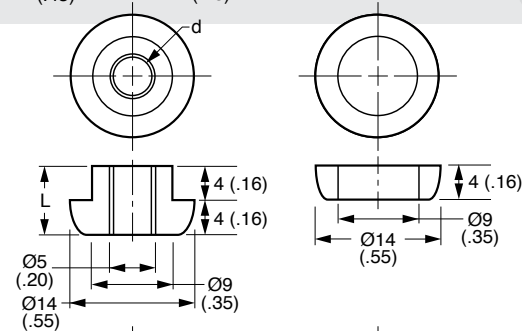


Fig. 2

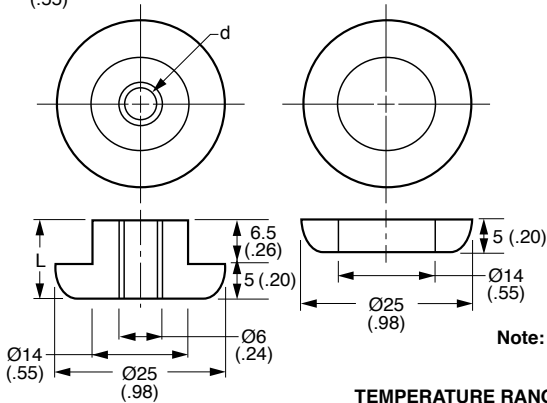


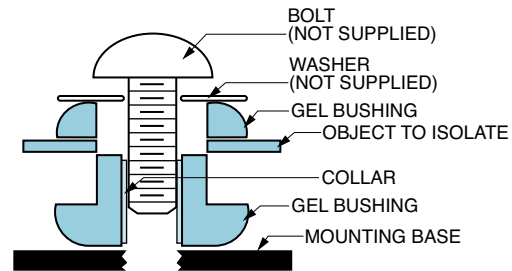
Fig. 3

Note: Dimensions in () are inch.

TEMPERATURE RANGE: -40°C to +200°C (-40°F to +392°F)



Metric



INSTALLATION DIAGRAM

| Catalog Number | Fig. No. | d Collar ID | L Collar Length | Collar Thickness | Optimum Load kgf (lb.) | Resonance Point Hz | Resonance Magnification dB | Recommended Frequency Hz |
|----------------|----------|-------------|-----------------|------------------|------------------------------|--------------------|----------------------------|---|
| V10261MS | 1 | 3 (.12) | 6 (.24) | 0.5 (.02) | 0.05 to 0.188 (.11 to .41) | 64 to 42 | 7 to 9 | 90 @ 0.05 kg (.11 lb.) 60 @ 0.188 kg (.41 lb.) |
| V10261MA1 | 2 | 3 (.12) | 7 (.28) | 1 (.04) | 0.125 to 0.625 (.28 to 1.38) | 67 to 35 | 9 to 10 | 95 @ 0.125 kg (.28 lb.) 50 @ 0.625 kg (1.38 lb.) |
| V10261MA2 | | | | | 0.625 to 1 (1.38 to 2.2) | 49 to 37 | 15 to 16 | 70 @ 0.625 kg (1.38 lb.) 55 @ 1 kg (2.2 lb.) |
| V10261MB1 | 3 | 4 (.16) | 11 (.43) | 1 (.04) | 1 to 3.75 (2.2 to 8.27) | 49 to 23 | 15 to 17 | 70 @ 1 kg (2.2 lb.) 35 @ 3.75 kg (8.27 lb.) |
| V10261MB2 | | | | | 3.75 to 8 (8.27 to 17.64) | 20 to 15 | 19 to 23 | 30 @ 3.75 kg (8.27 lb.) 25 @ 8 kg (17.64 lb.) |

NOTE: More technical data is given on pages 1-34, 1-35 & 2-3.



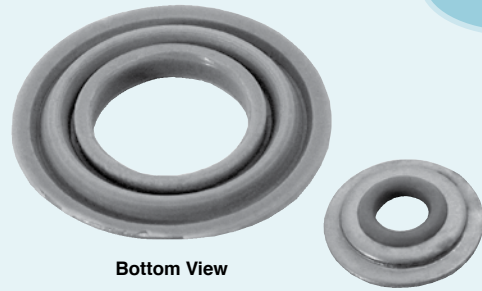
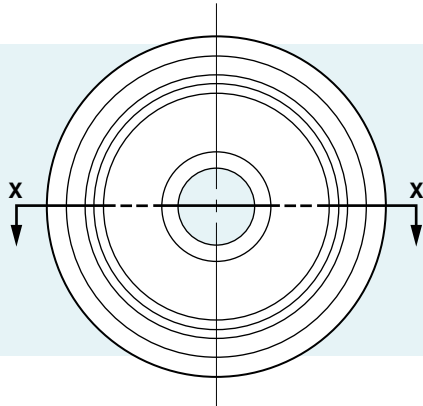
Bolt Mounts – Washer Type

www.vibrationmounts.com Phone: 516.328.3662 Fax: 516.328.3365

- **MATERIAL:** Washer – Stainless Steel
Seal – Silicone Rubber

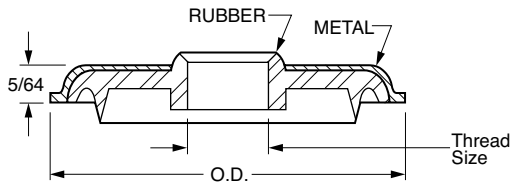
- CAN BE USED AS SEALING WASHER
- ONE-PIECE CONSTRUCTION • SELF-SEALING

New



Bottom View

Top View



SECTION X-X

TEMPERATURE RANGE: -160°F to +500°F (-106.7°C to +260°C)
PRESSURE RANGE: 100 psi (0.69 N/mm²) Internal & External

| Catalog Number | Thread Size | Washer O.D. |
|----------------|-------------|-------------|
| V10Z14-04050 | #6 | 1/2 |
| V10Z14-04100 | | 1 |
| V10Z14-04150 | | 1-1/2 |
| V10Z14-05050 | #8 | 1/2 |
| V10Z14-05100 | | 1 |
| V10Z14-05150 | | 1-1/2 |
| V10Z14-06050 | #10 | 1/2 |
| V10Z14-06100 | | 1 |
| V10Z14-06150 | | 1-1/2 |

| Catalog Number | Thread Size | Washer O.D. |
|----------------|-------------|-------------|
| V10Z14-08100 | 1/4 | 1 |
| V10Z14-08150 | | 1-1/2 |
| V10Z14-10100 | 5/16 | 1 |
| V10Z14-10150 | | 1-1/2 |
| V10Z14-12100 | 3/8 | 1 |
| V10Z14-12150 | | 1-1/2 |
| V10Z14-14100 | 7/16 | 1 |
| V10Z14-14150 | | 1-1/2 |
| V10Z14-16100 | 1/2 | 1 |
| V10Z14-16150 | | 1-1/2 |

INSTALLATION: Bolt Mounts – Washer Type are installed on bolts or screws in the same manner as regular washers. The rubber section should always face the panel.