



Spring Mounts – Foam Type – To 1250 N

www.vibrationmounts.com Phone: 516.328.3662 Fax: 516.328.3365

- **MATERIAL:** Spring – Steel (Black Cataphoresis or Blue Epoxy)
 Base – Carbon Steel Bushing – Carbon Steel
 Isolator – Polyethylene
 Base Pad – Foam Rubber

- **WORKING TEMPERATURE RANGE**
 -90°C TO +200°C (-130°F TO +392°F)
- **LATERAL TO AXIAL STIFFNESS RATIO 0.8 TO 1**

New



M Style Base Mounting shown

Metric

The projections shown are per ISO convention.

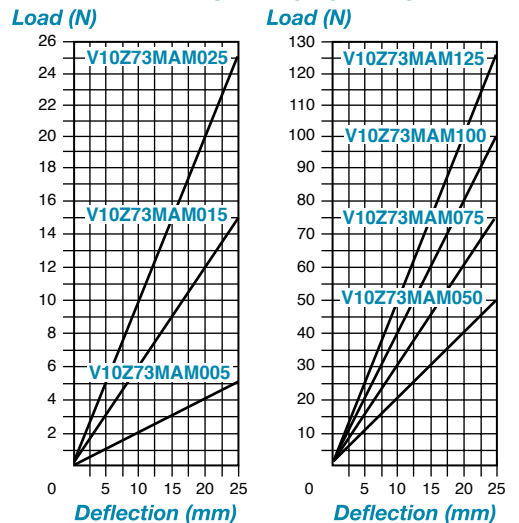
Catalog Number	Maximum		Minimum		Stiffness N/mm (lb./in.)	Admissible Temporary Overload %
	Load N (lb.)	Deflection mm (in.)	Load N (lb.)	Deflection mm (in.)		
V10Z73MAM005 <input type="checkbox"/>	50 (11.25)	25 (.98)	20 (4.5)	10 (.39)	2 (11.4)	10
V10Z73MAM015 <input type="checkbox"/>	150 (33.7)		60 (13.5)		6 (34.3)	
V10Z73MAM025 <input type="checkbox"/>	250 (56.2)		100 (22.5)		10 (57.1)	
V10Z73MAM050 <input type="checkbox"/>	500 (112.4)		200 (45.0)		20 (114.2)	
V10Z73MAM075 <input type="checkbox"/>	750 (168.6)		300 (67.4)		30 (171.3)	
V10Z73MAM100 <input type="checkbox"/>	1000 (224.8)		400 (89.9)		40 (228.4)	
V10Z73MAM125 <input type="checkbox"/>	1250 (281.0)		500 (112.4)		50 (285.5)	

To complete the part number please specify mounting style.

Continued on the next page

Mounting Style	Description	A Free Height mm (in.)	Height at 25 mm (.98 in.) Deflection mm (in.)
C	No bases	71 (2.80)	46 (1.81)
M	Lower base attached	74 (2.91)	49 (1.93)
R	Upper and Lower bases attached	77 (3.03)	52 (2.05)

PERFORMANCE GRAPHS



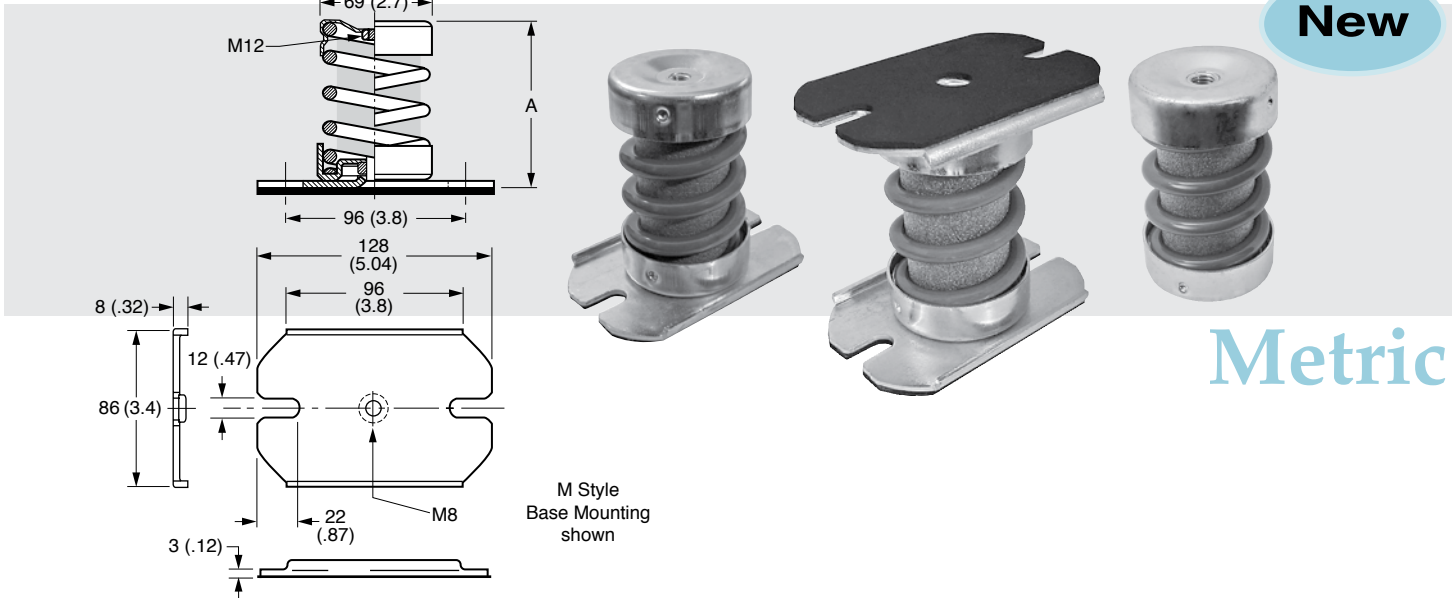


Spring Mounts – Foam Type – To 4500 N

www.vibrationmounts.com Phone: 516.328.3662 Fax: 516.328.3365

- **MATERIAL:** Spring – Steel (Black Cataphoresis or Blue Epoxy)
 Base – Carbon Steel Bushing – Carbon Steel
 Isolator – Polyethylene
 Base Pad – Foam Rubber

- **WORKING TEMPERATURE RANGE**
 -90°C TO +200°C (-130°F TO +392°F)
- **LATERAL TO AXIAL STIFFNESS RATIO 0.8 TO 1**



Catalog Number	Maximum		Minimum		Stiffness N/mm (lb./in.)	Admissible Temporary Overload %
	Load N (lb.)	Deflection mm (in.)	Load N (lb.)	Deflection mm (in.)		
V10Z73MAM150 <input type="checkbox"/>	1500 (337.2)	35 (1.38)	640 (143.9)	15 (.59)	43 (245.5)	30
V10Z73MAM200 <input type="checkbox"/>	2000 (449.6)		860 (193.3)		57 (325.5)	
V10Z73MAM250 <input type="checkbox"/>	2500 (562.0)		1070 (240.5)		71 (405.4)	20
V10Z73MAM350 <input type="checkbox"/>	3500 (786.8)		1500 (337.2)		100 (571.0)	
V10Z73MAM450 <input type="checkbox"/>	4500 (1011.6)		1930 (433.9)		129 (736.6)	11

To complete the part number please specify mounting style.

Mounting Style	Description	A Free Height mm (in.)	Height at 35 mm (1.38 in.) Deflection mm (in.)
C	No bases	111 (4.37)	76 (2.99)
M	Lower base attached	114 (4.49)	79 (3.11)
R	Upper and Lower bases attached	117 (4.61)	82 (3.23)

