

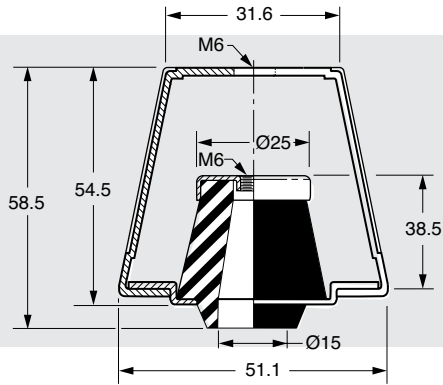


Suspension Mounts – Rubber Type

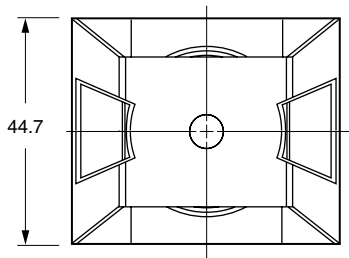
www.vibrationmounts.com Phone: 516.328.3662 Fax: 516.328.3365

- **MATERIAL:** Metal Housing – Carbon Steel
Isolator – Natural Rubber
Bushing – Carbon Steel

- FOR SUSPENSION FROM CEILING
- STRONG & EASY TO ASSEMBLE



Metric



The projections shown are per ISO convention.

Catalog Number*	Maximum Load kgf (lbf)	Maximum Deflection mm (in.)	Natural Frequency Hz. min - max.
V10Z72MTG-50R6	50 (112)	6 (.23)	7-12

*To be discontinued when present stock is depleted.

PERFORMANCE GRAPH

