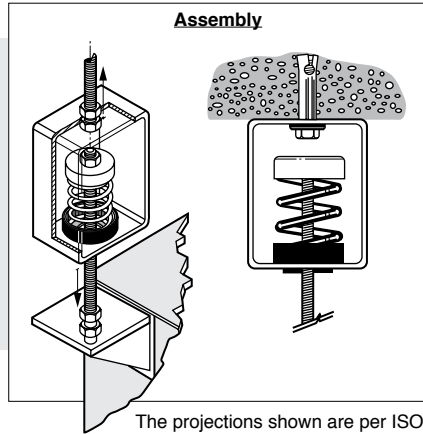


Suspension Mounts – Spring Type

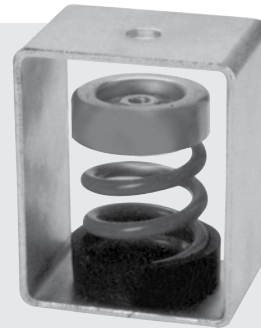
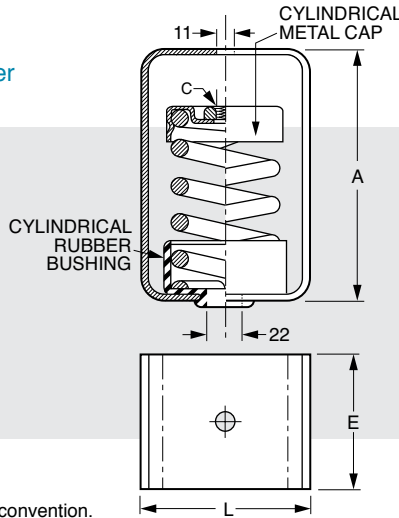
www.vibrationmounts.com Phone: 516.328.3662 Fax: 516.328.3365

- **MATERIAL:** Spring – DIN 17223-C
Box – Carbon Steel
Isolator – Natural Rubber

- **SUSPENDS MACHINERY**
- **LATERAL TO AXIAL STIFFNESS RATIO 0.8 TO 1**



The projections shown are per ISO convention.



New

Metric

TEMPERATURE RANGE: -90°C TO 200°C (-130°F TO 392°F)

Catalog Number*	A mm (in.)	C	E mm (in.)	L mm (in.)	Maximum		Minimum		Stiffness N/mm (lb./in.)	Admissible Temporary Overload %
					Load N (lb.)	Deflection mm (in.)	Load N (lb.)	Deflection mm (in.)		
V10Z71MTM015	100 (3.94)	M8	55 (2.17)	60 (2.36)	150 (33.7)	25 (.98)	10 (.39)	60 (13.5)	6 (34.3)	10
V10Z71MTM025					250 (56.2)			100 (22.5)	10 (57.1)	
V10Z71MTM075				750 (168.6)	300 (67.4)			30 (171.3)		
V10Z71MTM100				1000 (224.8)	400 (89.9)			40 (228.4)		
V10Z71MTM125				1250 (281)	500 (112.4)			50 (285.5)		
V10Z71MTM200	150 (5.91)	M12	80 (3.15)	100 (3.94)	2000 (449.6)	35 (1.38)	15 (.59)	860 (193.3)	57.14 (326.3)	25
V10Z71MTM250					2500 (562)			1070 (240.5)	71.42 (407.8)	20
V10Z71MTM350					3500 (786.8)			1050 (236)	100 (571)	14
V10Z71MTM450					4500 (1011.6)			1930 (433.9)	128.57 (734.2)	11

*To be discontinued when present stock is depleted.

PERFORMANCE GRAPHS

