

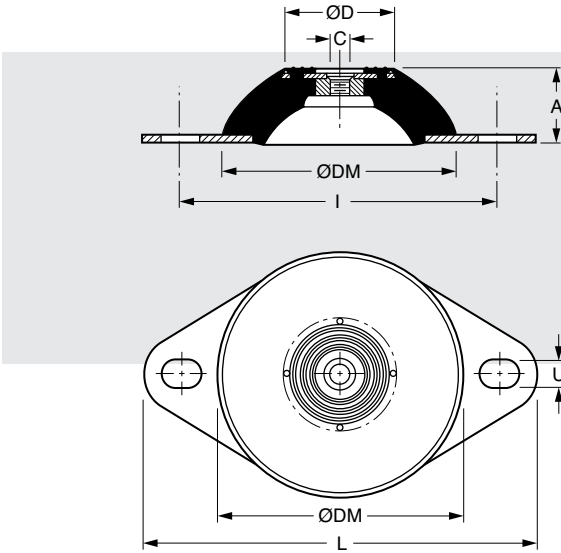


# Base Mounts – Dome Type

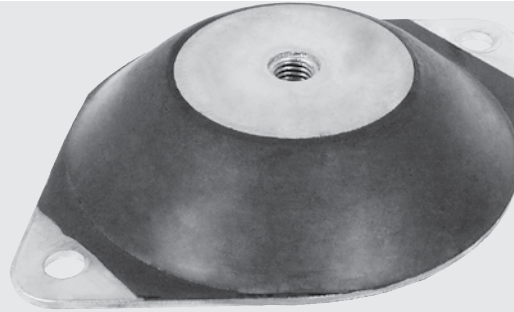
www.vibrationmounts.com Phone: 516.328.3662 Fax: 516.328.3365

- **MATERIAL:** Isolator – Natural Rubber  
Base – Carbon Steel

- **CAN BE MOUNTED IN SERIES**



The projections shown are per ISO convention.



SHOWN: Catalog Number V10Z75MBM200-.. with upper metal reinforcement visible.

Metric

Catalog Number*	A mm (in.)	D mm (in.)	DM mm (in.)	L mm (in.)	I mm (in.)	C	U mm (in.)	Hardness Shore A	Max. Load Under Compression N (lbf)	Max. Deflection mm (in.)
V10Z75MBM100-6	32 (1.26)	45 (1.77)	96 (3.78)	160 (6.30)	128 (5.04)	M10	11 x 16 (.43 x .63)	55	1600 (359.7)	4 (.158)
V10Z75MBM100-7								75	2200 (494.6)	
V10Z75MBM150-4	33 – 36 (1.30 – 1.42)	82 (3.23)	144 (5.67)	226 (8.90)	186 (7.32)	M14	Ø12	45	1300 (292.3)	7 (.276)
V10Z75MBM150-6								55	2500 (562.0)	
V10Z75MBM150-7								75	3500 (786.8)	
V10Z75MBM200-4	40 (1.58)	128 (5.04)	200 (7.87)	280 (11.02)	240 (9.45)	M16	Ø14.5	45	5000 (1124.0)	7 (.276)
V10Z75MBM200-6								55	8000 (1798.5)	
V10Z75MBM200-7								75	12000 (2697.7)	

\*To be discontinued when present stock is depleted.

## PERFORMANCE GRAPHS

