

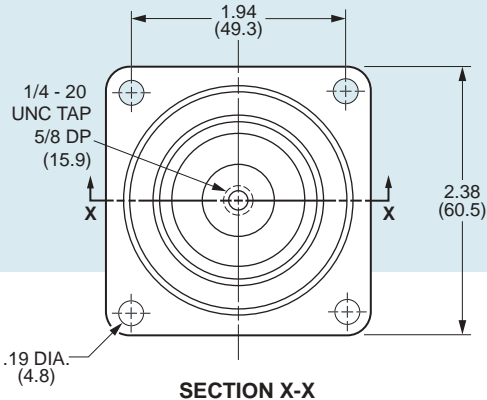


# Cup Mounts – To 135 lbs.

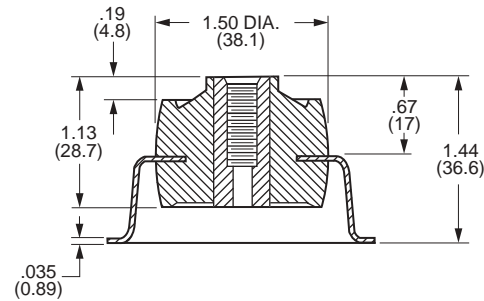
www.vibrationmounts.com Phone: 516.328.3662 Fax: 516.328.3365

● **MATERIAL:** Isolator – Natural Rubber  
Base – Steel, Cadmium Plated

● **FOR LOADS OF 33 TO 135 POUNDS (15 TO 61 kgf)**

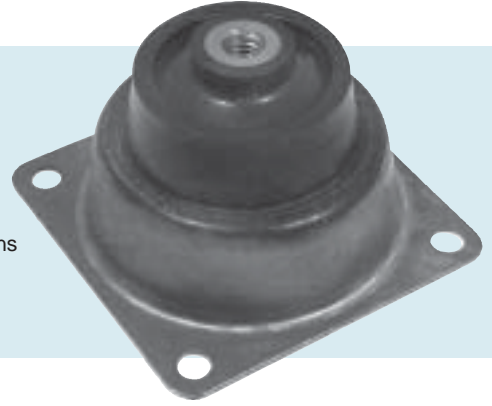
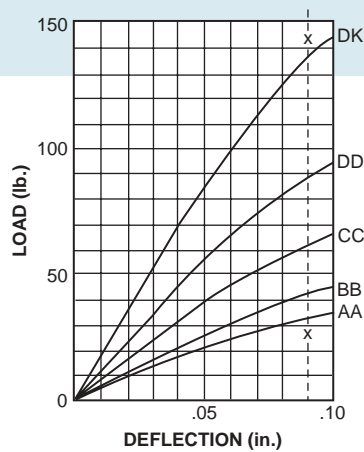


NOTE: Dimensions in ( ) are mm.



### LOAD/DEFLECTION GRAPH

Deflections below the line x--x are considered safe practice for static loads; data above that line are useful for calculating deflections under dynamic loads.



| Catalog Number | Maximum Rating<br>lb. (kgf) | Forcing Frequency in Cycles per Minute   |               |              |              |              |              |              |
|----------------|-----------------------------|--|---------------|--------------|--------------|--------------|--------------|--------------|
|                |                             | 1600                                     | 1750          | 2000         | 2500         | 3000         | 3500         | 4000         |
|                |                             | Maximum Load for 81% Isolation lb. (kgf) |               |              |              |              |              |              |
| V10Z40-1240AA  | 33<br>(15)                  | 33<br>(15)                               | 27<br>(12.2)  | 22<br>(10)   | 14<br>(6.4)  | 10<br>(4.5)  | 7<br>(3.2)   | 6<br>(2.7)   |
| V10Z40-1240BB  | 42<br>(19.1)                | 42<br>(19.1)                             | 34<br>(15.4)  | 28<br>(12.7) | 18<br>(8.2)  | 13<br>(5.9)  | 9<br>(4.1)   | 7<br>(3.2)   |
| V10Z40-1240CC  | 62<br>(28.1)                | 62<br>(28.1)                             | 51<br>(23.1)  | 42<br>(19.1) | 27<br>(12.2) | 19<br>(8.6)  | 14<br>(6.4)  | 11<br>(5)    |
| V10Z40-1240DD  | 90<br>(40.8)                | 90<br>(40.8)                             | 74<br>(33.6)  | 60<br>(27.2) | 39<br>(17.7) | 28<br>(12.7) | 20<br>(9.1)  | 16<br>(7.3)  |
| V10Z40-1240DK  | 135<br>(61.2)               | 135<br>(61.2)                            | 114<br>(51.7) | 93<br>(42.2) | 60<br>(27.2) | 43<br>(19.5) | 30<br>(13.6) | 24<br>(10.9) |