

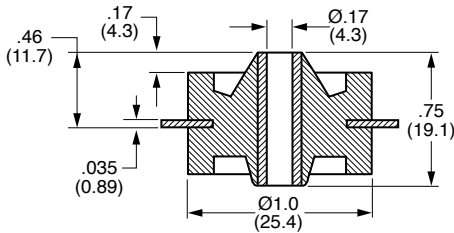
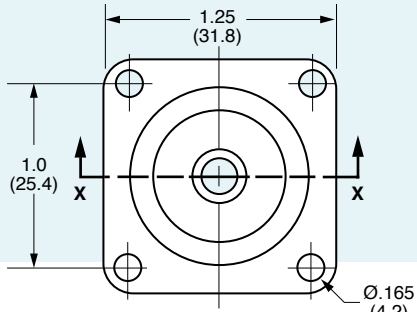


Platemounts – To 20 lbs.

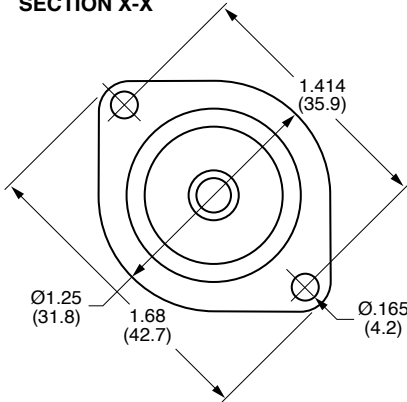
www.vibrationmounts.com Phone: 516.328.3662 Fax: 516.328.3365

- **MATERIAL:** Isolator – Natural Rubber
Base – Steel or Aluminum

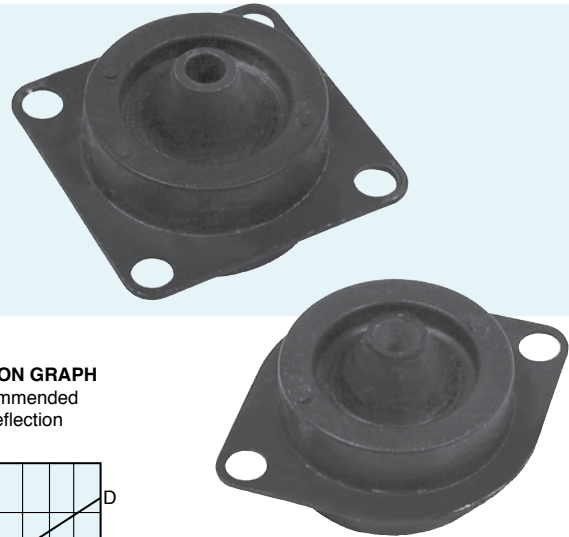
- **FOR LOADS OF 4 TO 20 POUNDS (1.8 TO 9.1 kgf)**



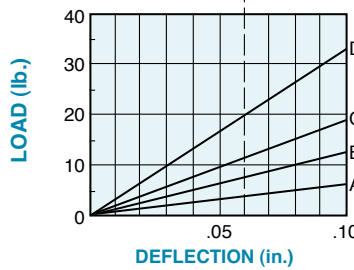
SECTION X-X



NOTE: Dimensions in () are mm.



LOAD/DEFLECTION GRAPH
Maximum Recommended
Static Load/Deflection



Base Type	Square	
	Aluminum	Steel
Catalog Number	V10Z40-1210B1	—
	V10Z40-1210C1	V10Z40-1210C3
	V10Z40-1210D1	—

Base Type	Diamond	
	Aluminum	Steel
Catalog Number	V10Z40-1210A2	—
	V10Z40-1210B2	V10Z40-1210B4
	V10Z40-1210C2	V10Z40-1210C4
	V10Z40-1210D2	V10Z40-1210D4

NOTE: The above platemounts are available in Neoprene as a special order (200 pc. minimum).

Load Rating	Maximum Load lb. (kgf)	Forcing Frequency in Cycles per Minute			
		1900	2500	3000	4000
Minimum Load for 81% Isolation lb. (kgf)					
A	4 (1.8)	4 (1.8)	2 (0.9)	1.5 (0.7)	1 (0.5)
B	8 (3.6)	8 (3.6)	4 (1.8)	3.0 (1.4)	2 (0.9)
C	12 (5.4)	12 (5.4)	7 (3.2)	5.0 (2.3)	3 (1.4)
D	20 (9.1)	20 (9.1)	11 (5)	8.0 (3.6)	5 (2.3)

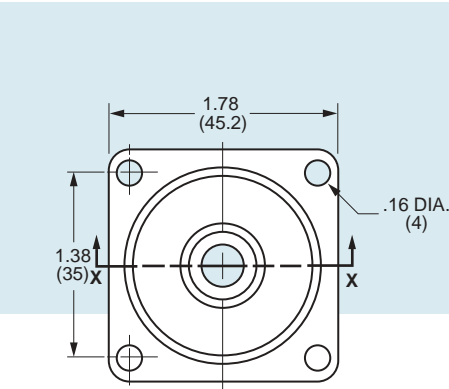


Platemounts – To 26 lbs.

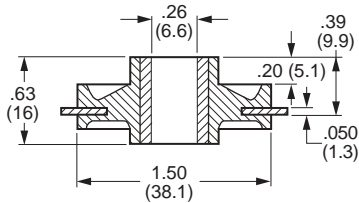
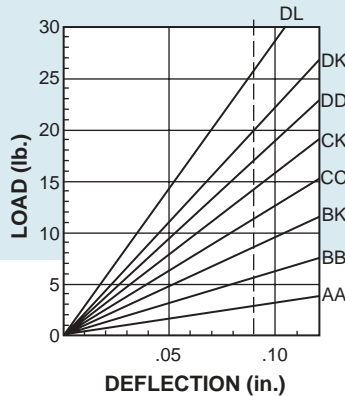
www.vibrationmounts.com Phone: 516.328.3662 Fax: 516.328.3365

● **MATERIAL:** Isolator – Natural Rubber
Base – Steel or Aluminum

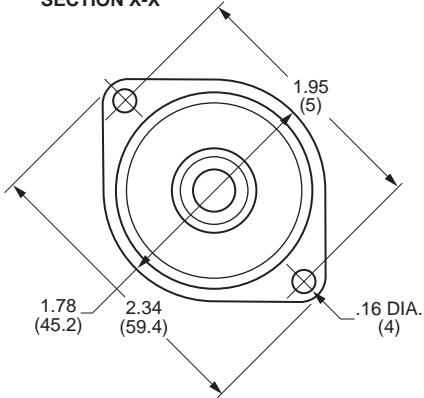
● **FOR LOADS OF 3 TO 26 POUNDS (1.4 TO 11.8 kgf)**



LOAD/DEFLECTION GRAPH
Maximum Recommended Static Load/Deflection



SECTION X-X



NOTE: Dimensions in () are mm.

Base Type	Aluminum	Steel
Base Type Square	—	—
Catalog Number	V10Z40-1215BB1	V10Z40-1215BB3
	V10Z40-1215BK1	—
	V10Z40-1215CC1	V10Z40-1215CC3
	V10Z40-1215CK1	V10Z40-1215CK3
	V10Z40-1215DD1	—
	V10Z40-1215DK1	—
	V10Z40-1215DL1	V10Z40-1215DL3
Base Type Diamond	Aluminum	Steel
Catalog Number	V10Z40-1215AA2	V10Z40-1215AA4
	V10Z40-1215BB2	V10Z40-1215BB4
	V10Z40-1215BK2	—
	V10Z40-1215CC2	V10Z40-1215CC4
	—	V10Z40-1215CK4
	V10Z40-1215DD2	V10Z40-1215DD4
	—	V10Z40-1215DK4
—	—	

NOTE: 1. The above platemounts are available in Neoprene as a special order (200 pc. minimum).
2. The above platemounts may be discontinued but are still available in large quantities.

Load Rating	Maximum Load lb. (kgf)	Forcing Frequency in Cycles per Minute						
		1600	1750	2000	2500	3000	3500	4000
Minimum Load for 81% Isolation lb. (kgf)								
AA	3 (1.4)	3 (1.4)	2 (0.9)	1.7 (0.8)	1.0 (0.5)	.8 (0.4)	.6 (0.3)	.4 (0.2)
BB	6 (2.7)	6 (2.7)	5 (2.3)	3.5 (1.6)	2.0 (0.9)	1.6 (0.7)	1.2 (0.5)	.8 (0.4)
BK	9 (4.1)	9 (4.1)	7 (3.2)	5.0 (2.3)	3.0 (1.4)	2.4 (1.1)	1.7 (0.8)	1.3 (0.6)
CC	12 (5.4)	12 (5.4)	9 (4.1)	7.0 (3.2)	4.5 (2)	3.0 (1.4)	2.2 (1)	1.7 (0.8)
CK	14 (6.4)	14 (6.4)	11 (5)	9.0 (4.1)	5.5 (2.5)	4.0 (1.8)	2.8 (1.3)	2.2 (1)
DD	17 (7.7)	17 (7.7)	13 (5.9)	11.0 (5)	6.5 (2.9)	5.0 (2.3)	3.4 (1.5)	2.6 (1.2)
DK	20 (9.1)	20 (9.1)	16 (7.3)	12.0 (5.4)	8.0 (3.6)	5.5 (2.5)	4.0 (1.8)	3.0 (1.4)
DL	26 (11.8)	26 (11.8)	20 (9.1)	16.0 (7.3)	10.0 (4.5)	7.0 (3.2)	5.0 (2.3)	4.0 (1.8)

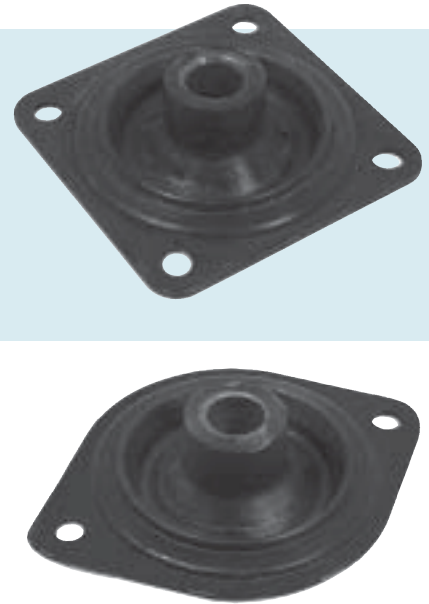
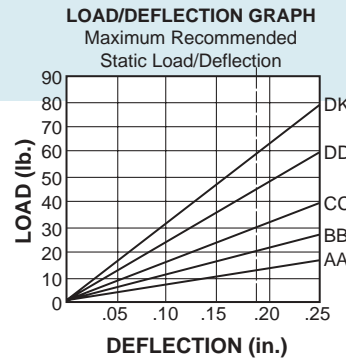
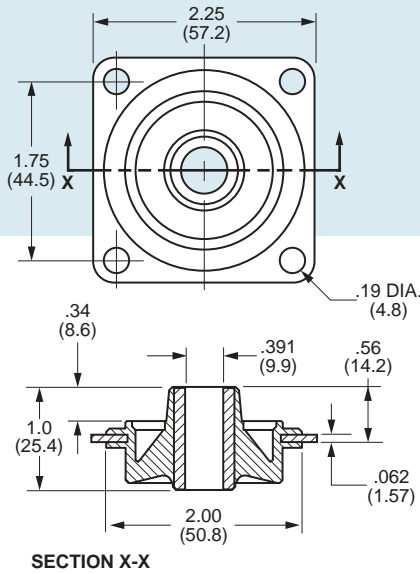


Platemounts – To 60 lbs.

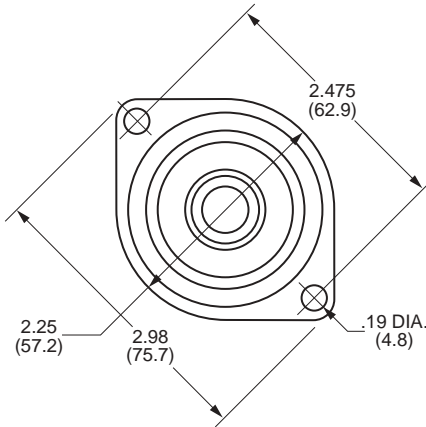
www.vibrationmounts.com Phone: 516.328.3662 Fax: 516.328.3365

• **MATERIAL:** Isolator – Natural Rubber
Base – Steel or Aluminum

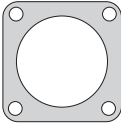
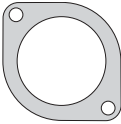
• **FOR LOADS OF 12 TO 60 POUNDS (5.4 TO 27.2 kgf)**



SECTION 2



NOTE: Dimensions in () are mm.

	Base Type	Steel	
	Catalog Number	— V10Z40-1260CC3 V10Z40-1260DD3 V10Z40-1260DK3	
	Base Type	Aluminum	Steel
	Catalog Number	V10Z40-1260AA2	V10Z40-1260AA4
		—	V10Z40-1260BB4
		V10Z40-1260CC2	V10Z40-1260CC4
		V10Z40-1260DD2	V10Z40-1260DD4
	V10Z40-1260DK2	V10Z40-1260DK4	

NOTE: 1. The above platemounts are available in Neoprene as a special order (200 pc. minimum).
2. The above platemounts may be discontinued but are still available in large quantities.

Load Rating	Maximum Load lb. (kgf)	Forcing Frequency in Cycles per Minute							
		1100	1250	1500	1750	2000	2500	3000	3500
Minimum Load for 81% Isolation lb. (kgf)									
AA	12 (5.4)	12 (5.4)	10 (4.5)	7 (3.2)	5 (2.3)	3 (1.4)	2 (0.9)	2 (0.9)	1 (0.5)
BB	20 (9.1)	20 (9.1)	16 (7.3)	11 (5)	7 (3.2)	6 (2.7)	4 (1.8)	3 (1.4)	2 (0.9)
CC	30 (13.6)	30 (13.6)	23 (10.4)	15 (6.8)	11 (5)	9 (4.1)	5 (2.3)	4 (1.8)	3 (1.4)
DD	45 (20.4)	45 (20.4)	35 (15.9)	23 (10.4)	17 (7.7)	13 (5.9)	8 (3.6)	6 (2.7)	4 (1.8)
DK	60 (27.2)	60 (27.2)	47 (21.3)	31 (14.1)	22 (10)	17 (7.7)	11 (5)	7 (3.2)	6 (2.7)

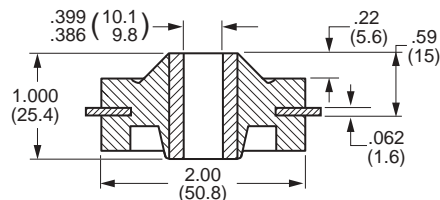
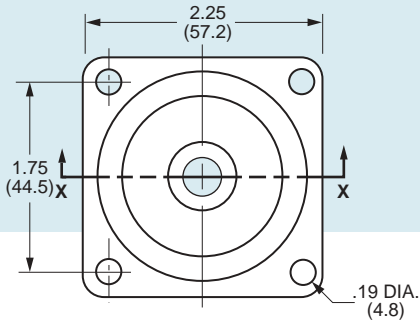


Platemounts – To 90 lbs.

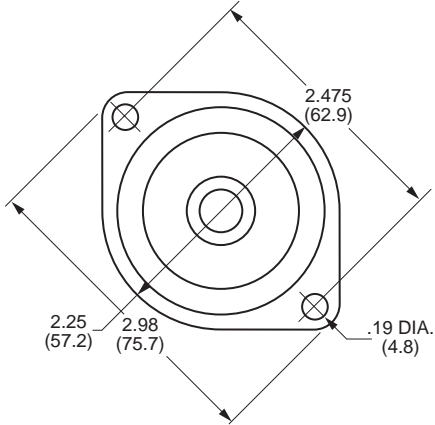
www.vibrationmounts.com Phone: 516.328.3662 Fax: 516.328.3365

- MATERIAL: Isolator – Natural Rubber
Base – Steel or Aluminum

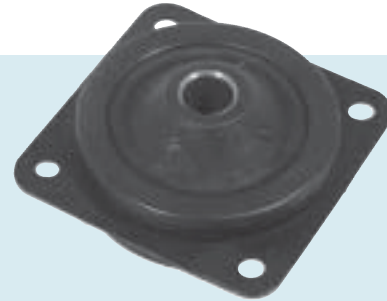
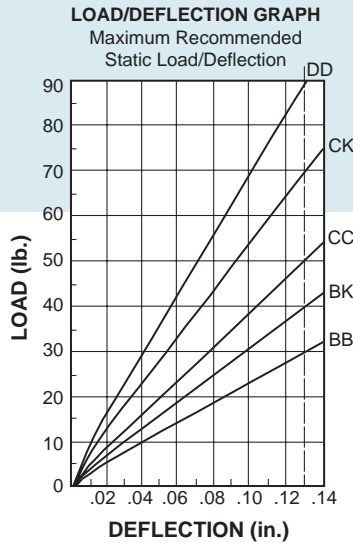
- FOR LOADS OF 30 TO 90 POUNDS (13.6 TO 40.8 kgf)



SECTION X-X



NOTE: Dimensions in () are mm.



SECTION 2

Base Type	Square	
	Aluminum	Steel
Catalog Number	—	V10Z40-1220BB3
	V10Z40-1220BK1	—
	—	V10Z40-1220CC3
	V10Z40-1220DD1	V10Z40-1220DD3

Base Type	Diamond	
	Aluminum	Steel
Catalog Number	—	V10Z40-1220BB4
	—	V10Z40-1220BK4
	—	—
	V10Z40-1220DD2	V10Z40-1220CK4 V10Z40-1220DD4

NOTE: 1. The above platemounts are available in Neoprene as a special order (200 pc. minimum).
2. The above platemounts may be discontinued but are still available in large quantities.

Load Rating	Maximum Load lb. (kgf)	Forcing Frequency in Cycles per Minute						
		1325	1750	2000	2500	3500	3000	4000
Minimum Load for 81% Isolation lb. (kgf)								
BB	30 (13.6)	30 (13.6)	17 (7.7)	13 (5.9)	8.4 (3.8)	6.0 (2.7)	4.3 (2)	3.3 (1.5)
BK	40 (18.1)	40 (18.1)	23 (10.4)	18 (8.2)	11.0 (5)	7.8 (3.5)	5.7 (2.6)	4.4 (2)
CC	50 (22.7)	50 (22.7)	29 (13.2)	22 (10)	14.0 (6.4)	10.0 (4.5)	7.2 (3.3)	5.5 (2.5)
CK	70 (31.8)	70 (31.8)	40 (18.1)	31 (14.1)	20.0 (9.1)	14.0 (6.4)	10.0 (4.5)	7.0 (3.2)
DD	90 (40.8)	90 (40.8)	52 (23.6)	40 (18.1)	25.0 (11.3)	18.0 (8.2)	13.0 (5.9)	10.0 (4.5)

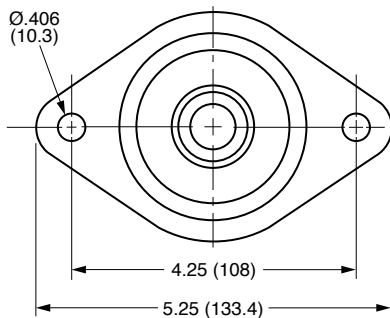
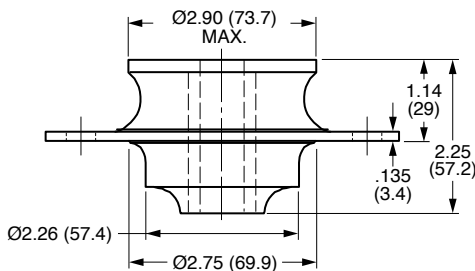
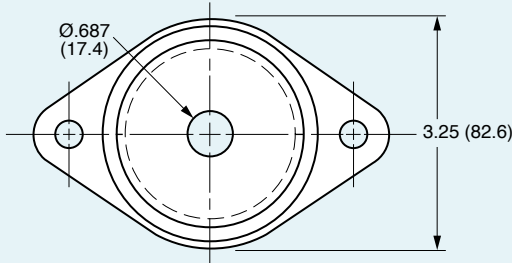
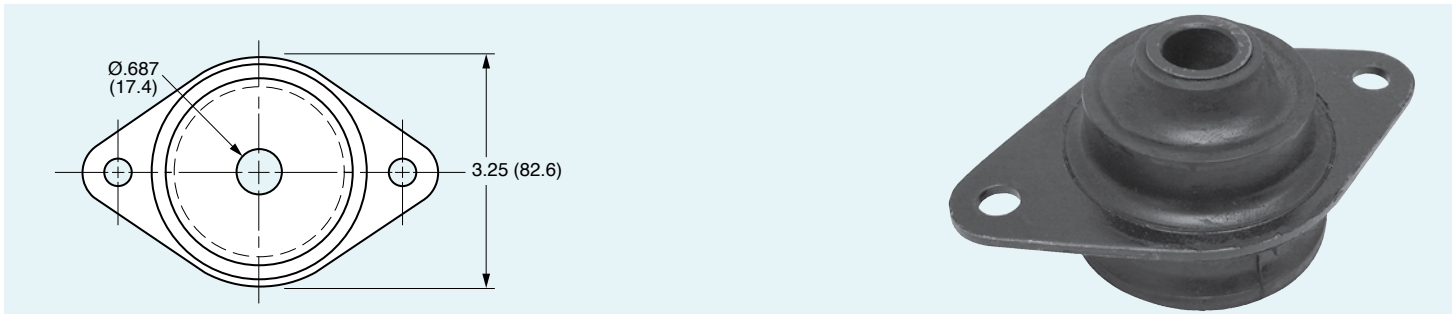


Platemounts – To 760 lbs.

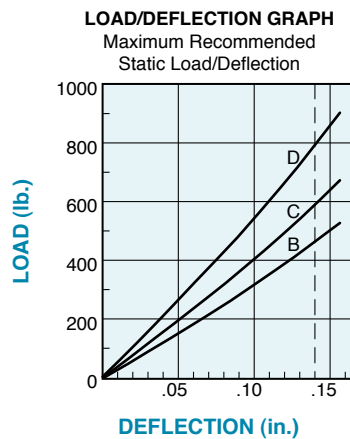
www.vibrationmounts.com Phone: 516.328.3662 Fax: 516.328.3365

- **MATERIAL:** Isolator – Natural Rubber
Base – Steel

- **FOR LOADS OF 440 TO 760 POUNDS (200 TO 344.7 kgf)**



NOTE: Dimensions in () are mm.



Catalog Number	Maximum Load lb. (kgf)	Forcing Frequency in Cycles per Minute						
		1300	1500	2000	2500	3000	3500	4000
V10Z40-1280B	440 (200)	440 (200)	300 (136)	160 (72.6)	100 (45.4)	70 (31.8)	50 (22.7)	40 (18.1)
V10Z40-1280C	560 (254)	560 (254)	380 (172.4)	200 (90.7)	120 (54.4)	90 (40.8)	60 (27.2)	50 (22.7)
V10Z40-1280D	760 (344.7)	760 (344.7)	520 (235.9)	270 (122.5)	170 (77.1)	120 (54.4)	90 (40.8)	70 (31.8)

NOTE: The above platemounts are available in Neoprene as a special order (200 pc. minimum).