



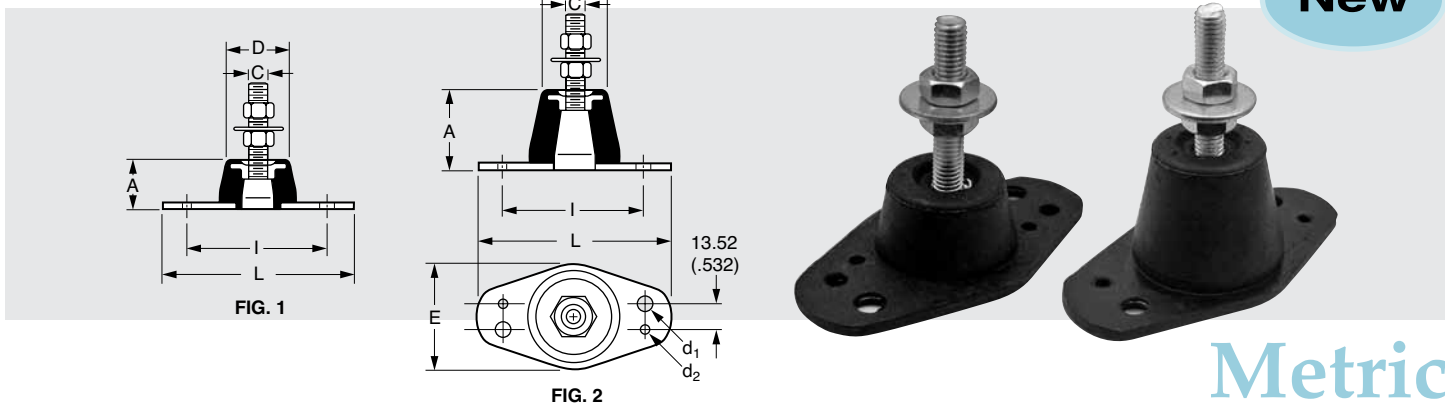
Base Mounts – Flange Type

www.vibrationmounts.com Phone: 516.328.3662 Fax: 516.328.3365

- **MATERIAL:** Isolator – Ozone-Resistant Natural Rubber (55 Shore A)
 Bolt – DIN 976
 Nut – DIN 934 Washer – DIN 9021
 Base – Carbon Steel

- **EXCELLENT TEAR RESISTANCE**
- **STUD IS REMOVABLE FOR FEMALE THREAD ATTACHMENT**

New

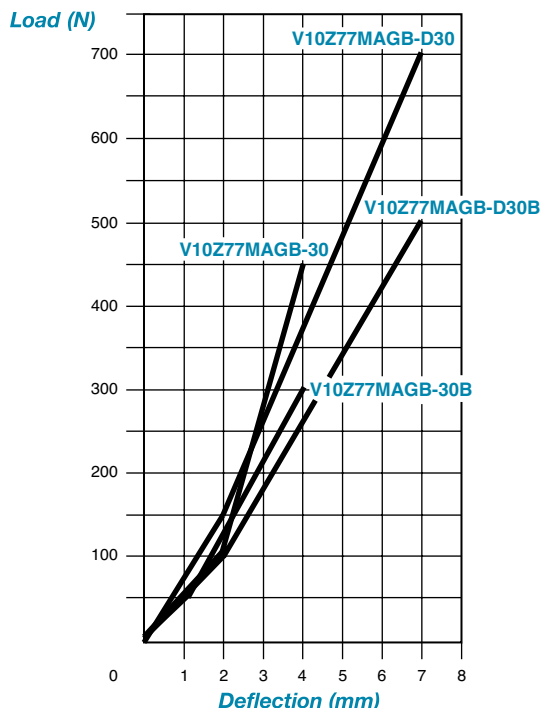


Metric

The projections shown are per ISO convention.

Catalog Number	Fig. No.	A mm (in.)	D mm (in.)	E mm (in.)	L mm (in.)	I mm (in.)	C	d ₁ mm (in.)	d ₂ mm (in.)	Maximum		Minimum		Admissible Temporary Overload %
										Load N (lb.)	Deflection mm (in.)	Load N (lb.)	Deflection mm (in.)	
V10Z77MAGB-30B	1	24 (.94)	30 (1.18)	48 (1.89)	88 (3.46)	63.6 (2.50)	M8	8 (.315)	4 (.157)	300 (67.4)	4 (.16)	50 (11.2)	1 (.039)	30
V10Z77MAGB-30										450 (101.2)		100 (22.5)		
V10Z77MAGB-D30B	2	38 (1.50)	30 (1.18)	48 (1.89)	88 (3.46)	63.6 (2.50)	M8	8 (.315)	4 (.157)	500 (112.4)	7 (.28)	150 (33.7)	2 (.079)	
V10Z77MAGB-D30										700 (157.4)		100 (22.5)		

PERFORMANCE GRAPH



Did You Know?

...That Advanced Antivibration Components is well-equipped to handle an entire project from the design and manufacturing of individual components to the assembly of final products? We are dedicated to quality products and on time delivery.