

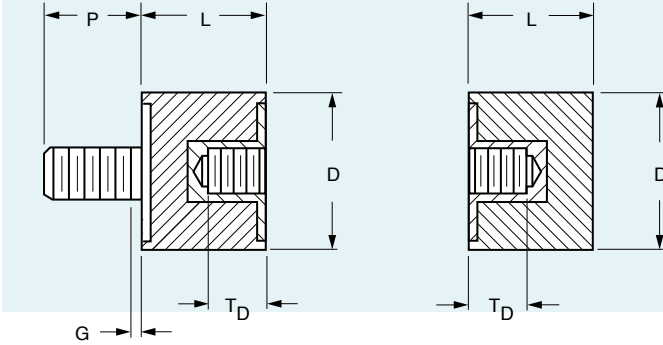


Cylindrical Mounts – Urethane – To 45 lbs.

www.vibrationmounts.com Phone: 516.328.3662 Fax: 516.328.3365

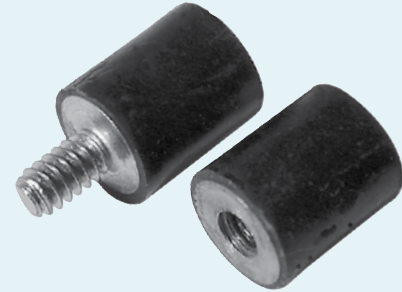
- **MATERIAL:** Fasteners – Steel, Zinc Plated
Isolator – Urethane

- **FOR COMPRESSION LOADS OF .3 TO 45 POUNDS (0.14 TO 20.4 kgf)**
• **FOR SHEAR LOADS OF .1 TO 10 POUNDS (0.05 TO 4.5 kgf)**



Male - Female

Female - Blank



FEATURES:

- Highly damped
- Very resistant to abrasion, oils, chemicals, ozone and ultraviolet radiation
- These mounts exhibit extremely low amplification at resonance and quickly return to system equilibrium after shock or vibration input

Catalog Number	Durometer	D	L	P	G	Thread Size	T _D Thread Depth	Load lb. (kgf)		Stiffness lb./in. (kgf/mm)				Temperature Range	
								Cmpr. Max.	Shear ^Δ	Static		Dynamic		Peak Performacne	Max. Intermittent
										Cmpr.	Shear ^Δ	Cmpr.	Shear ^Δ		
*V10Z60-MF1U0424	24	.280 (7.1)	.320 (8.1)	.200 (5.1)	.060 (1.5)	#4-40	.110 (2.8)	.3 (0.14)	.1 (0.05)	31 (0.6)	4 (0.07)	120 (2.1)	23 (0.4)	+32°F to +90°F (0°C to +32.2°C)	+120°F (+48.9°C)
V10Z60-□□1U0452	52							2.0 (0.91)	.8 (0.36)	200 (3.6)	27 (0.5)	765 (13.7)	148 (2.6)	+55°F to +105°F (+12.8°C to +40.5°C)	+225°F (+107.2°C)
*V10Z60-□□2U0624	24	.405 (10.3)	.500 (12.7)	.375 (9.5)	.060 (1.5)	#6-32	.160 (4.1)	.6 (0.27)	.3 (0.14)	42 (0.75)	7 (0.13)	164 (2.9)	33 (0.6)	+32°F to +90°F (0°C to +32.2°C)	+120°F (+48.9°C)
V10Z60-□□2U0652	52							4.0 (1.8)	2.0 (0.91)	270 (4.8)	47 (0.84)	1049 (18.7)	208 (3.7)	+55°F to +105°F (+12.8°C to +40.5°C)	+225°F (+107.2°C)
*V10Z60-□□2U0824	24	.405 (10.3)	.500 (12.7)	.375 (9.5)	.060 (1.5)	#8-32	.160 (4.1)	.6 (0.27)	.3 (0.14)	42 (0.75)	7 (0.13)	164 (2.9)	33 (0.6)	+32°F to +90°F (0°C to +32.2°C)	+120°F (+48.9°C)
V10Z60-□□2U0852	52							4.0 (1.8)	2.0 (0.91)	270 (4.8)	47 (0.84)	1049 (18.7)	208 (3.7)	+55°F to +105°F (+12.8°C to +40.5°C)	+225°F (+107.2°C)
V10Z60-□□3U2552	52	.625 (15.9)	.625 (15.9)	.500 (12.7)	.100 (2.5)	1/4-20	.260 (6.6)	12.0 (5.4)	3.5 (1.6)	900 (16.1)	92 (1.6)	2350 (42)	385 (6.9)	+55°F to +105°F (+12.8°C to +40.5°C)	+225°F (+107.2°C)
V10Z60-□□4U3152	52	1.000 (25.4)	.750 (19.1)	.625 (15.9)	.100 (2.5)	5/16-18	.290 (7.4)	45.0 (20.4)	10.0 (4.5)	2580 (46.1)	230 (4.1)	6727 (120.1)	896 (16)	+55°F to +105°F (+12.8°C to +40.5°C)	+225°F (+107.2°C)

STYLE: □

FB Female-Blank
MF Male-Female

* To be discontinued when present stock is depleted.

Δ Shear load data not applicable for Female-Blank style.

NOTE: Dimensions in () are mm.

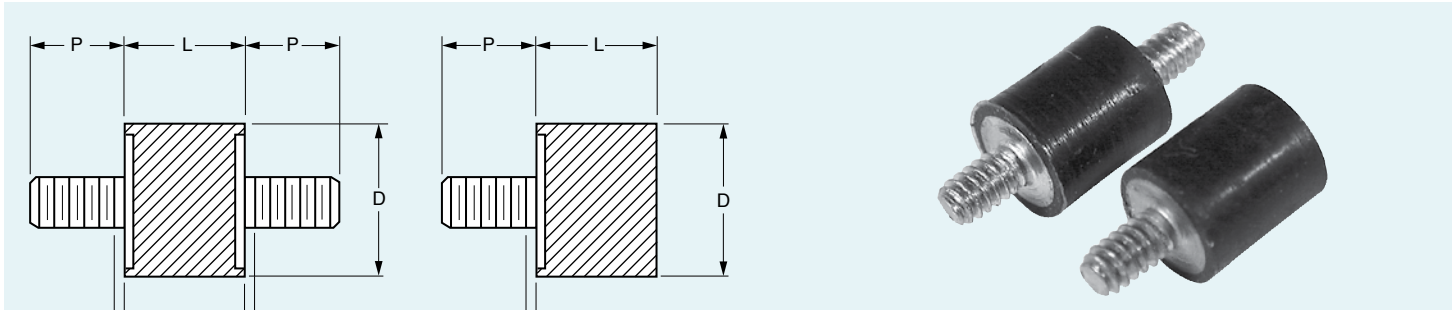


Cylindrical Mounts – Urethane – To 50 lbs.

www.vibrationmounts.com Phone: 516.328.3662 Fax: 516.328.3365

• **MATERIAL:** Fasteners – Steel, Zinc Plated
Isolator – Urethane

• **FOR COMPRESSION LOADS OF .5 TO 50 POUNDS (0.23 TO 22.7 kgf)**
• **FOR SHEAR LOADS OF .2 TO 13 POUNDS (0.09 TO 5.9 kgf)**



FEATURES:

- Highly damped
- Very resistant to abrasion, oils, chemicals, ozone and ultraviolet radiation
- These mounts exhibit extremely low amplification at resonance and quickly return to system equilibrium after shock or vibration input

Catalog Number	Durometer	D	L	P	G	Thread Size	Load lb. (kgf)		Stiffness lb./in. (kgf/mm)				Temperature Range	
							Cmpr. Max.	Shear Δ	Static		Dynamic		Peak Performacne	Max. Intermittent
									Cmpr.	Shear Δ	Cmpr.	Shear Δ		
*V10Z60-□□1U0424	24	.280 (7.1)	.320 (8.1)	.200 (5.1)	.060 (1.5)	#4-40	.5 (0.23)	.2 (0.09)	25 (0.4)	3 (0.05)	40 (0.7)	9 (0.16)	+32°F to +90°F (0°C to +32.2°C)	+120°F (+48.9°C)
V10Z60-□□1U0452	52						4.0 (1.8)	1.5 (0.7)	159 (2.8)	19 (0.3)	262 (4.7)	59 (1.1)	+55°F to +105°F (+12.8°C to +40.5°C)	+225°F (+107.2°C)
*V10Z60-MB2U0624	24	.405 (10.3)	.500 (12.7)	.375 (9.5)	.060 (1.5)	#6-32	1.0 (0.45)	.4 (0.18)	31 (0.6)	4 (0.07)	45 (0.8)	12 (0.22)	+32°F to +90°F (0°C to +32.2°C)	+120°F (+48.9°C)
V10Z60-□□2U0652	52						8.0 (3.6)	3.0 (1.36)	200 (3.6)	24 (0.4)	285 (5.1)	74 (1.3)	+55°F to +105°F (+12.8°C to +40.5°C)	+225°F (+107.2°C)
*V10Z60-□□2U0824	24	.405 (10.3)	.500 (12.7)	.375 (9.5)	.060 (1.5)	#8-32	1.0 (0.45)	.4 (0.18)	31 (0.6)	4 (0.07)	45 (0.8)	12 (0.22)	+32°F to +90°F (0°C to +32.2°C)	+120°F (+48.9°C)
V10Z60-□□2U0852	52						8.0 (3.6)	3.0 (1.36)	200 (3.6)	24 (0.4)	285 (5.1)	74 (1.3)	+55°F to +105°F (+12.8°C to +40.5°C)	+225°F (+107.2°C)
V10Z60-□□3U2552	52	.625 (15.9)	.625 (15.9)	.500 (12.7)	.100 (2.5)	1/4-20	20.0 (9.1)	5.0 (2.3)	320 (5.7)	35 (0.6)	471 (8.4)	120 (2.1)	+55°F to +105°F (+12.8°C to +40.5°C)	+225°F (+107.2°C)
V10Z60-□□4U3152	52	1.000 (25.4)	.750 (19.1)	.625 (15.9)	.100 (2.5)		5/16-18	50.0 (22.7)	13.0 (5.9)	860 (15.4)	75 (1.3)	1108 (19.8)	270 (4.8)	+55°F to +105°F (+12.8°C to +40.5°C)

STYLE: □

MB Male-Blank
MM Male-Male

NOTE: Dimensions in () are mm.

* To be discontinued when present stock is depleted.
 Δ Shear load data not applicable for Male-Blank style.