

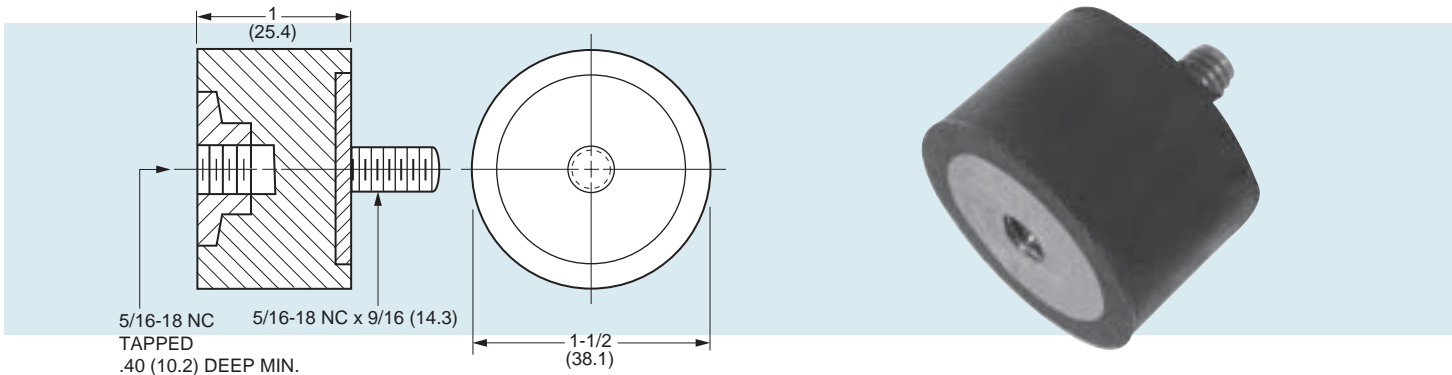


Cylindrical Mounts – To 210 lbs.

www.vibrationmounts.com Phone: 516.328.3662 Fax: 516.328.3365

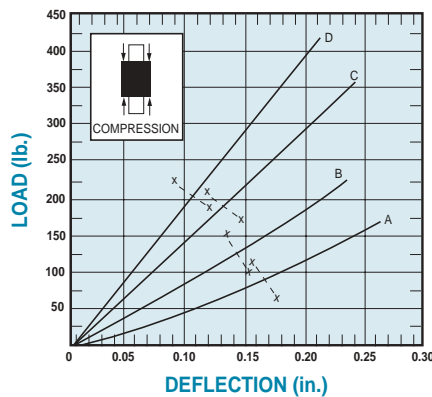
- **MATERIAL:** Fasteners – Steel, Zinc Plated
Isolator – Natural Rubber

- **FOR COMPRESSION LOADS OF 95 TO 210 POUNDS (43.1 TO 95.3 kgf)**
• **NOT RECOMMENDED FOR STATIC SHEAR LOADS**



NOTE: Dimensions in () are mm.

LOAD DEFLECTION GRAPHS
Deflections below the line x-x are considered safe practice for static loads; data above that line are useful for calculating deflections under dynamic loads.



Compression		Forcing Frequency in Cycles per Minute						
Catalog Number	Maximum Load lb. (kgf)	1150	1250	1500	1750	2000	2750	3500
		Minimum Load for 81% Isolation lb. (kgf)						
V10Z 2-308A	95 (43.1)	95 (43.1)	80 (36.3)	55 (24.9)	40 (18.1)	30 (13.6)	15 (6.8)	—
V10Z 2-308B	135 (61.2)	—	125 (56.7)	85 (38.6)	60 (27.2)	45 (20.4)	22 (10)	—
V10Z 2-308C	185 (83.9)	—	—	140 (63.5)	100 (45.4)	75 (34)	40 (18.1)	25 (11.3)
V10Z 2-308D	210 (95.3)	—	—	185 (83.9)	135 (61.2)	105 (47.6)	55 (24.9)	35 (15.9)



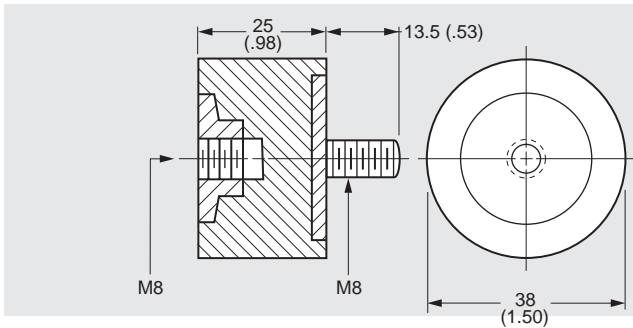
Cylindrical Mounts – To 95 kgf

www.vibrationmounts.com Phone: 516.328.3662 Fax: 516.328.3365

SECTION I

- **MATERIAL:** Fasteners – Steel, Zinc Plated
Isolator – Natural Rubber

- **FOR COMPRESSION LOADS OF 43 TO 95 kgf (95 TO 210 lb.)**
● **NOT RECOMMENDED FOR STATIC SHEAR LOADS**



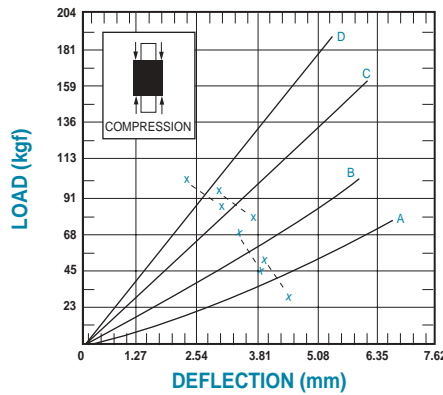
New

Metric

The projections shown are per ISO convention.

NOTE: Dimensions in () are inch.

LOAD DEFLECTION GRAPHS
Deflections below the line x-x are considered safe practice for static loads; data above that line are useful for calculating deflections under dynamic loads.



Compression		Forcing Frequency in Cycles per Minute						
Catalog Number	Maximum Load kgf (lb.)	1150	1250	1500	1750	2000	2750	3500
		Minimum Load for 81% Isolation kgf (lb.)						
V10Z 2M308AM08	43.1 (95)	43.1 (95)	36.3 (80)	25 (55)	18.2 (40)	13.6 (30)	6.8 (15)	—
V10Z 2M308BM08	61.2 (135)	—	56.7 (125)	38.6 (85)	27.2 (60)	20.4 (45)	10 (22)	—
V10Z 2M308CM08	83.9 (185)	—	—	63.5 (140)	45.4 (100)	34 (75)	18.2 (40)	11.3 (25)
V10Z 2M308DM08	95.3 (210)	—	—	83.9 (185)	61.2 (135)	47.6 (105)	25 (55)	15.9 (35)

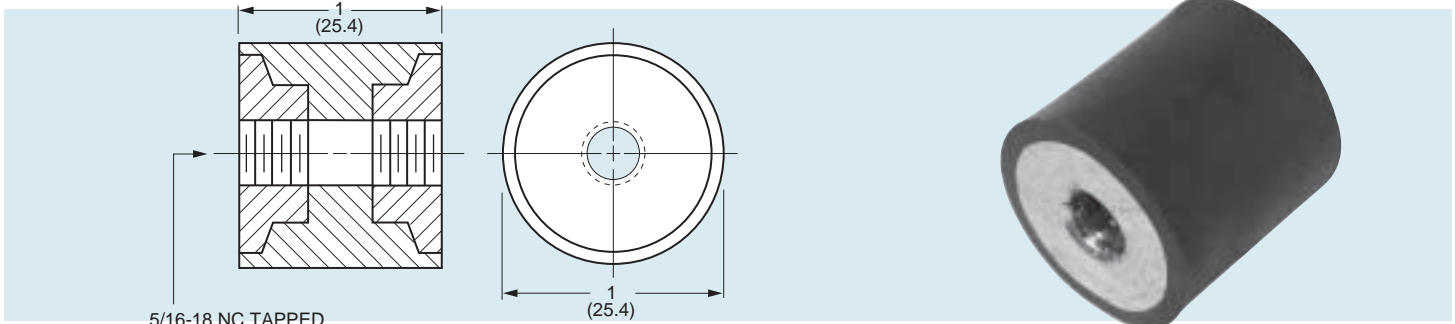


Cylindrical Mounts – To 86 lbs.

www.vibrationmounts.com Phone: 516.328.3662 Fax: 516.328.3365

- **MATERIAL:** Fasteners – Steel, Zinc Plated
Isolator – Natural Rubber

- **FOR COMPRESSION LOADS OF 37 TO 86 POUNDS (16.8 TO 39 kgf)**
- **NOT RECOMMENDED FOR STATIC SHEAR LOADS**

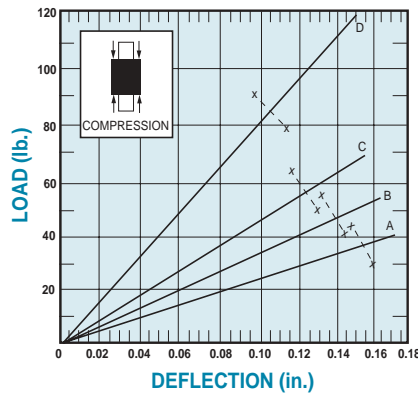


5/16-18 NC TAPPED
.20 (5.1) DEEP MIN. (TYP)

NOTE: Dimensions in () are mm.

LOAD DEFLECTION GRAPHS

Deflections below the line x-x are considered safe practice for static loads; data above that line are useful for calculating deflections under dynamic loads.



Compression		Forcing Frequency in Cycles per Minute									
Catalog Number	Maximum Load lb. (kgf)	700	950	1100	1250	1500	1750	2000	2250	2500	3000
		Minimum Load for 81% Isolation lb. (kgf)									
V10Z 2-319A	37 (16.8)	—	—	—	35.0 (15.9)	24.0 (10.9)	18.0 (8.2)	13.5 (6.1)	11.0 (5)	—	—
V10Z 2-319B	48 (21.8)	—	—	—	—	34.0 (15.4)	26.0 (11.8)	20.5 (9.3)	16.0 (7.3)	13.0 (5.9)	—
V10Z 2-319C	57 (25.9)	—	—	—	—	46.0 (20.9)	32.5 (14.7)	26.5 (12)	20.0 (9.1)	16.0 (7.3)	—
V10Z 2-319D	86 (39)	—	—	—	—	80.0 (36.3)	59.0 (26.8)	48.0 (21.8)	36.0 (16.3)	30.0 (13.6)	21.0 (9.5)